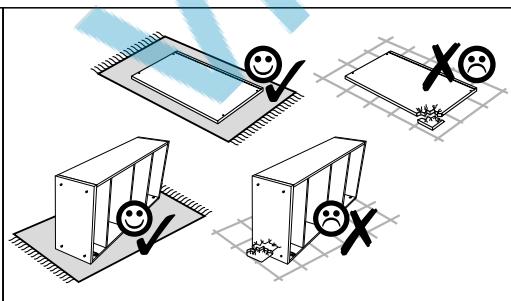
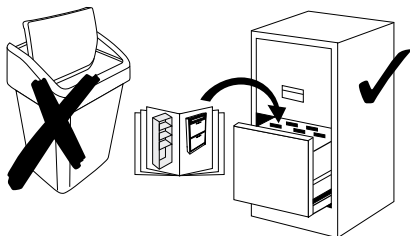
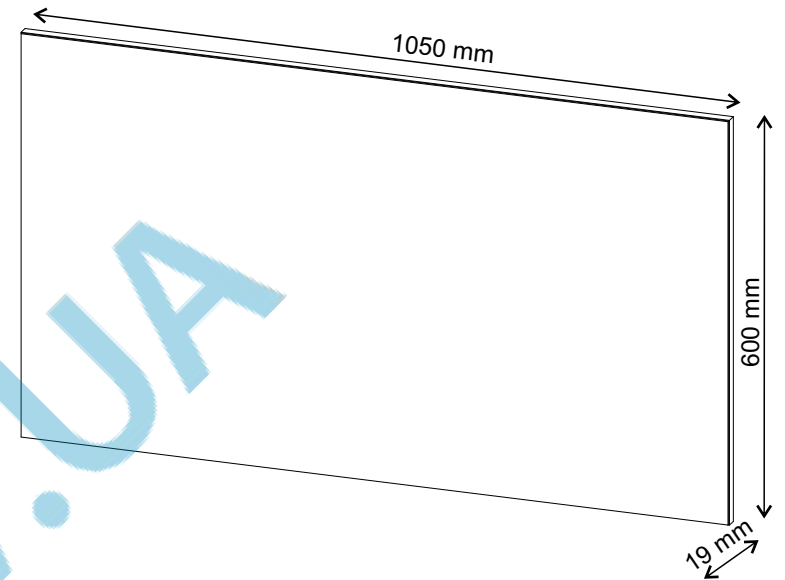
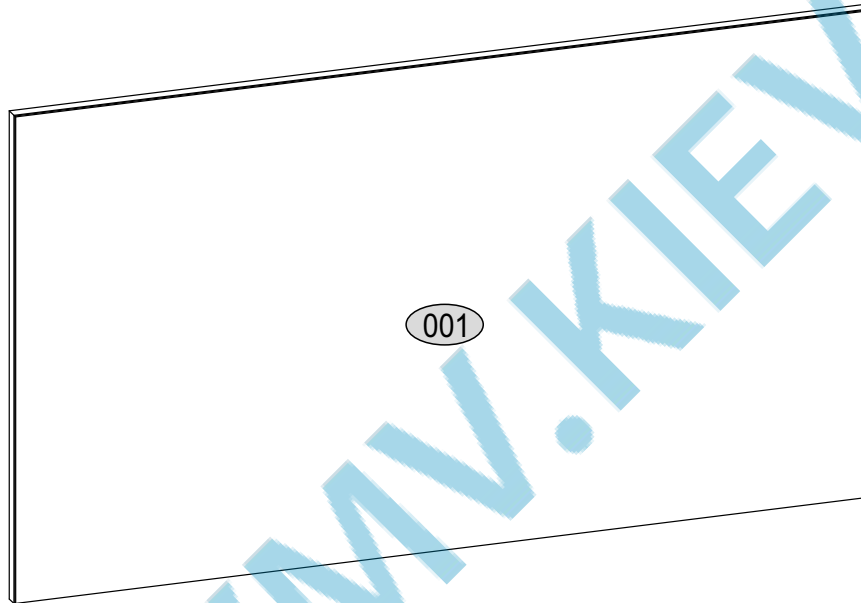
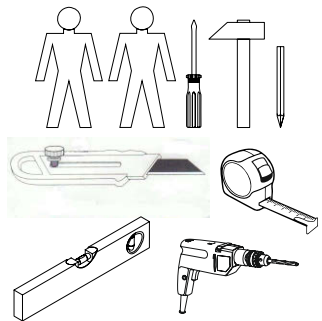
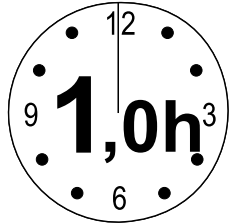




# Installation manual

**VERBENA:** Mirror 105



| Code        | Dimensions |      |    | Package |
|-------------|------------|------|----|---------|
| 001         | 600        | 1050 | 19 | 1       |
| accessories |            |      |    | 1       |

x2  
g2



x2  
e3



Ø6x13

x4  
e19



Ø6x9 mm

x2  
f3



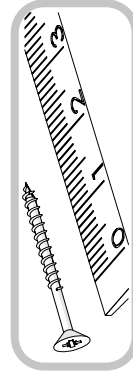
Ø10x50 mm

x2  
p17



Ø5x60 mm

VMMV.KIEV.UA



# 1

