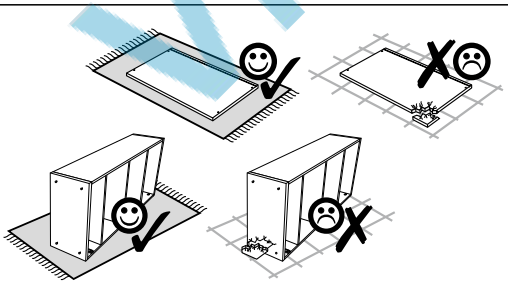
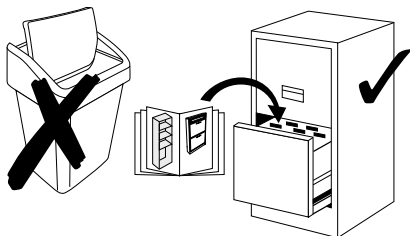
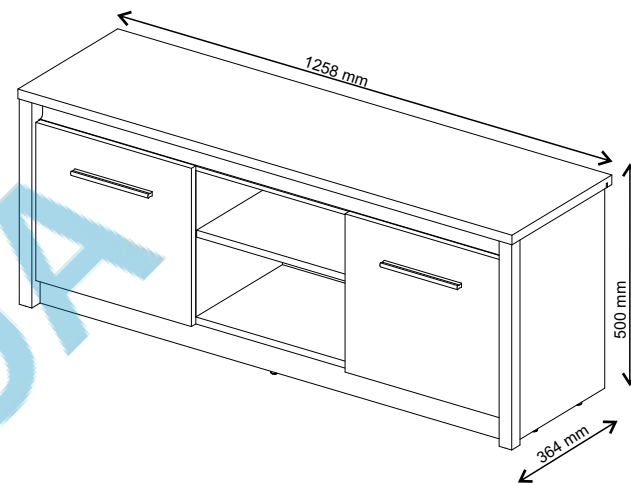
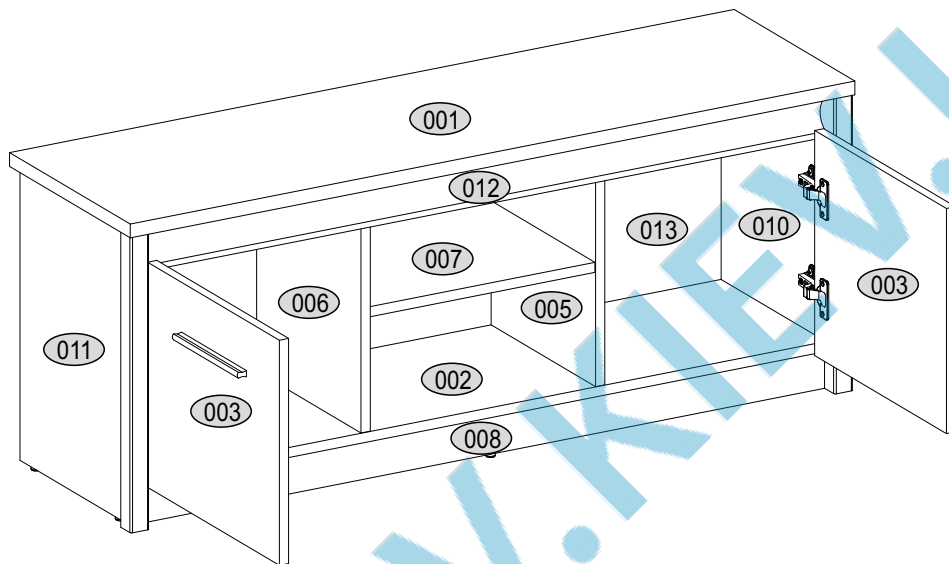
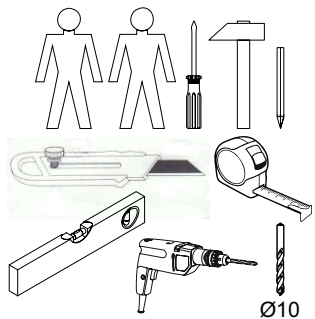
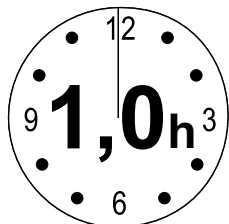










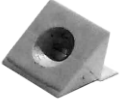







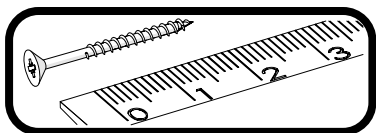
# Installation manual

AYSON: szafka RTV 2d/125

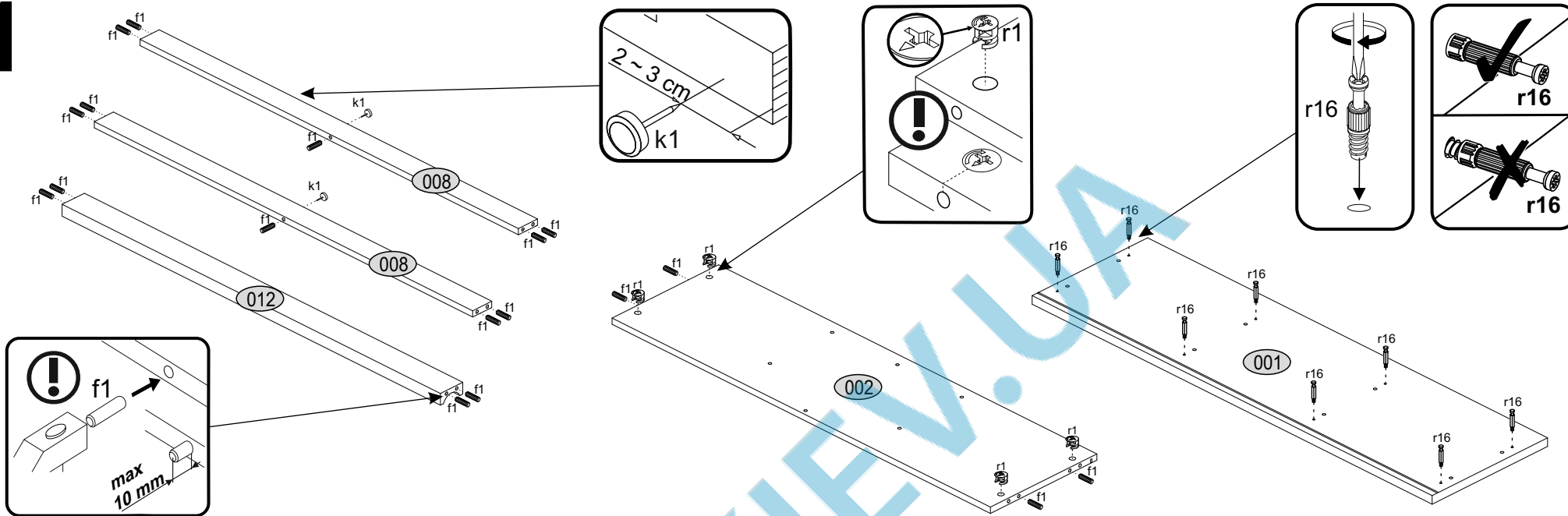


Code	Dimensions			Package	
001	1258	364	22	1	1/1
002	1186	334	16	1	1/1
003	363	395	16	2	1/1
005	396	313	16	1	1/1
006	396	313	16	1	1/1
007	390	311	16	1	1/1
008	1186	60	16	2	1/1
010	472	360	16/32	1	1/1
011	472	360	16/32	1	1/1
012	1186	60	30	1	1/1
013	417	1203	3	1	1/1
accessories				1	1/1

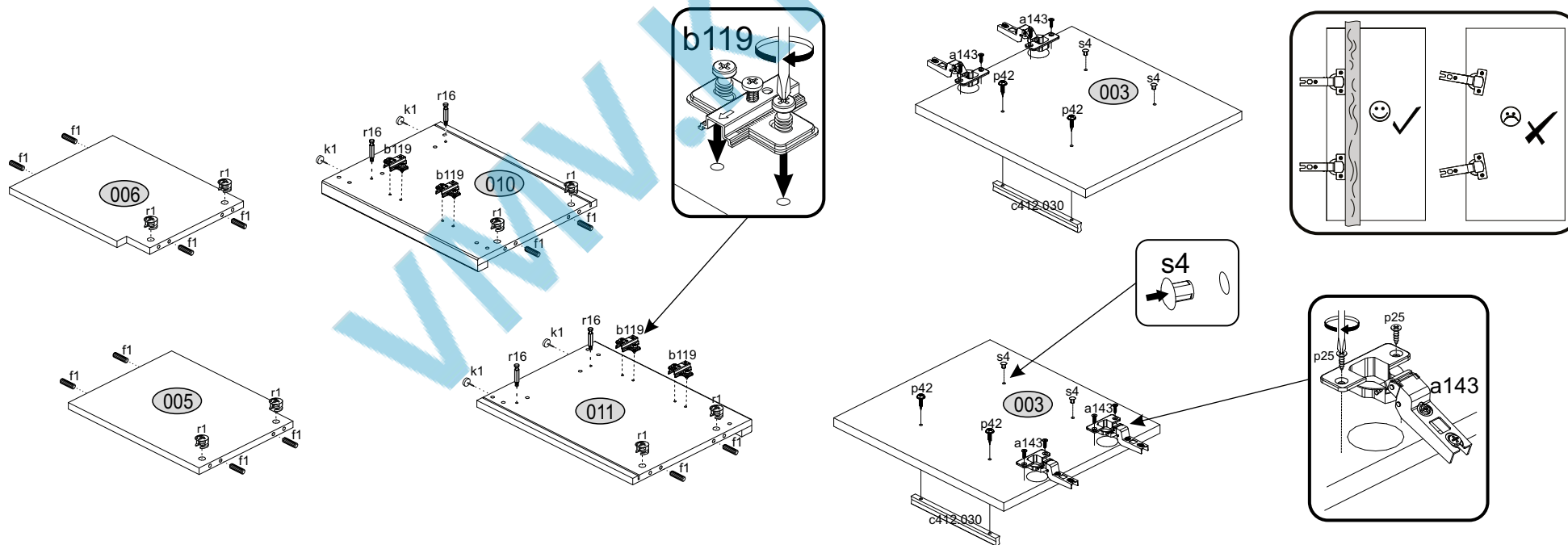
<p><b>x4</b> <b>e1</b></p> <p>Ø 7x50mm</p> 	<p><b>x12</b> <b>r1</b></p> <p>Ø 15x12mm</p> 	<p><b>x12</b> <b>r16</b></p> 	<p><b>x30</b> <b>f1</b></p> <p>Ø 8x30mm</p> 
<p><b>x4</b> <b>a143</b></p> 	<p><b>x4</b> <b>b119</b></p> 	<p><b>x14</b> <b>p25</b></p> <p>Ø 3,5x16n</p> 	<p><b>x4</b> <b>d1</b></p> <p>Ø 5x17 mm</p> 
<p><b>x6</b> <b>l2</b></p> 	<p><b>x2</b> <b>c412.030</b></p> 	<p><b>x4</b> <b>p42</b></p> <p>Ø 3,5x25mm</p> 	<p><b>x6</b> <b>k1</b></p> 
<p><b>x4</b> <b>s4</b></p> 	<p><b>x1</b> <b>z1</b></p> 		



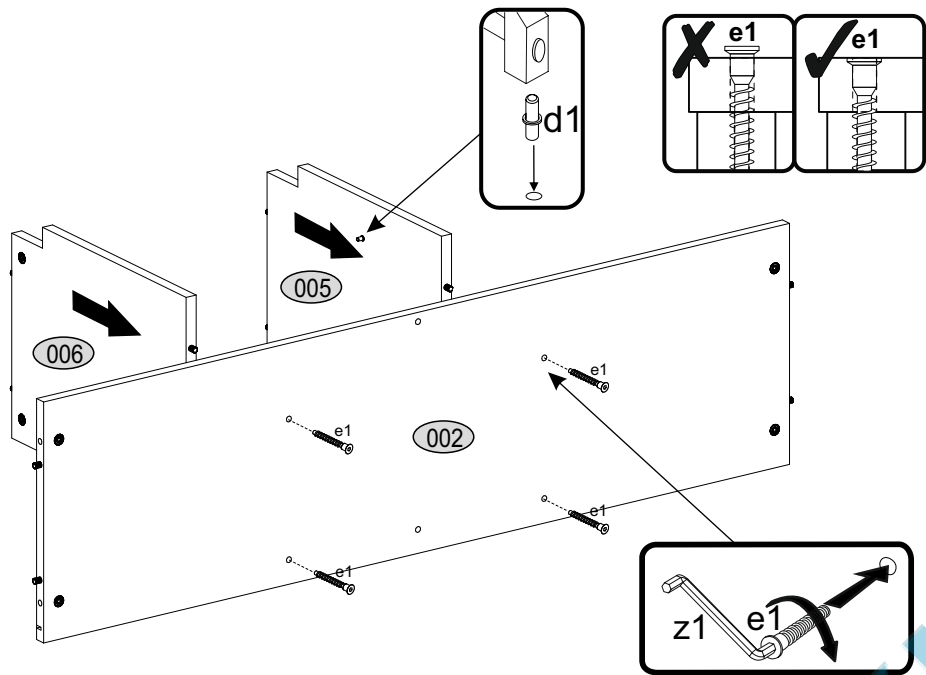
# 1



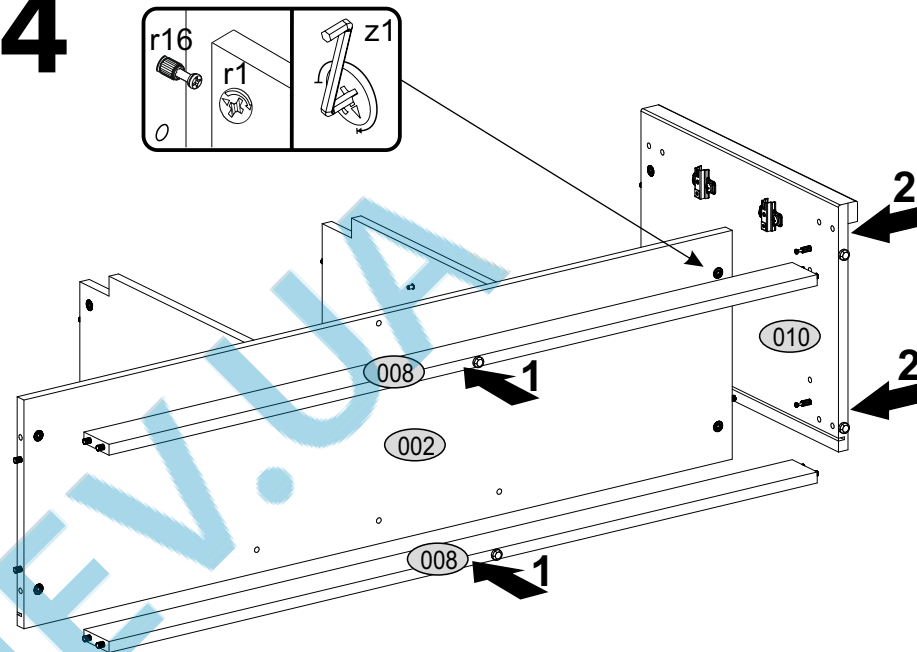
# 2



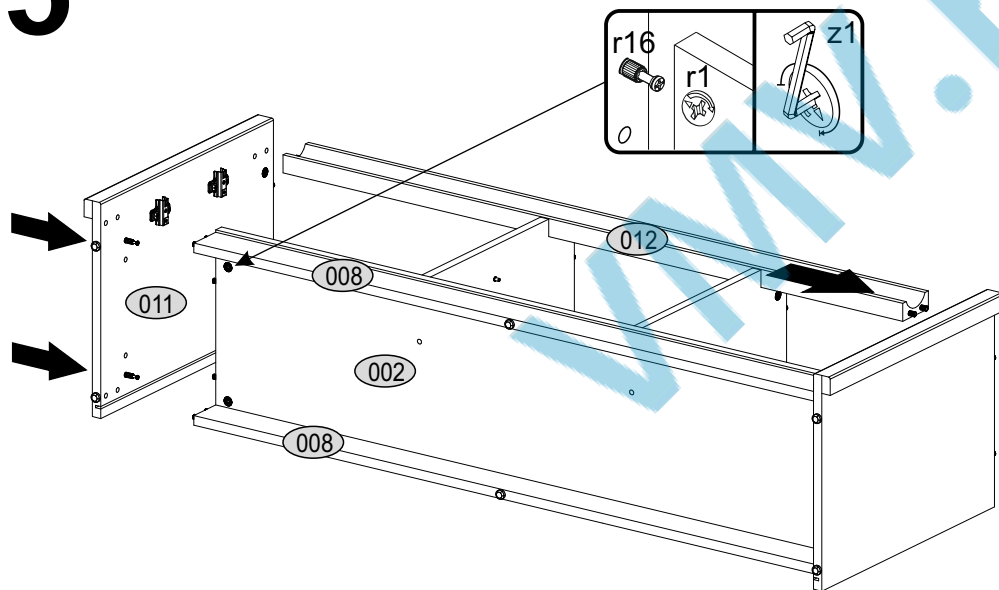
# 3



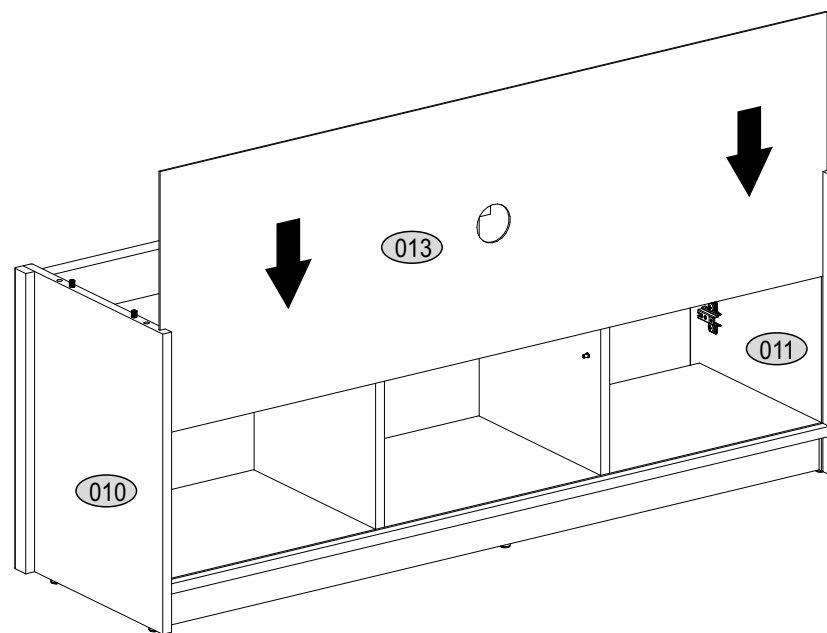
# 4



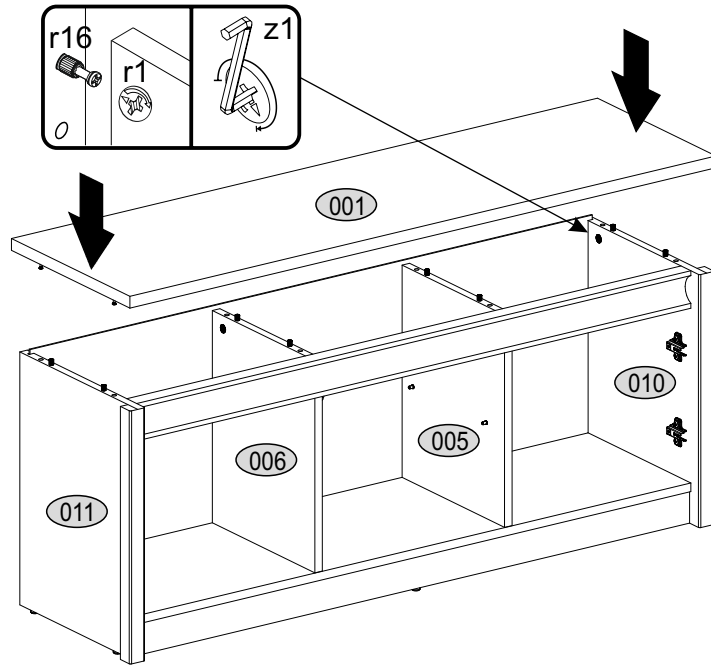
# 5



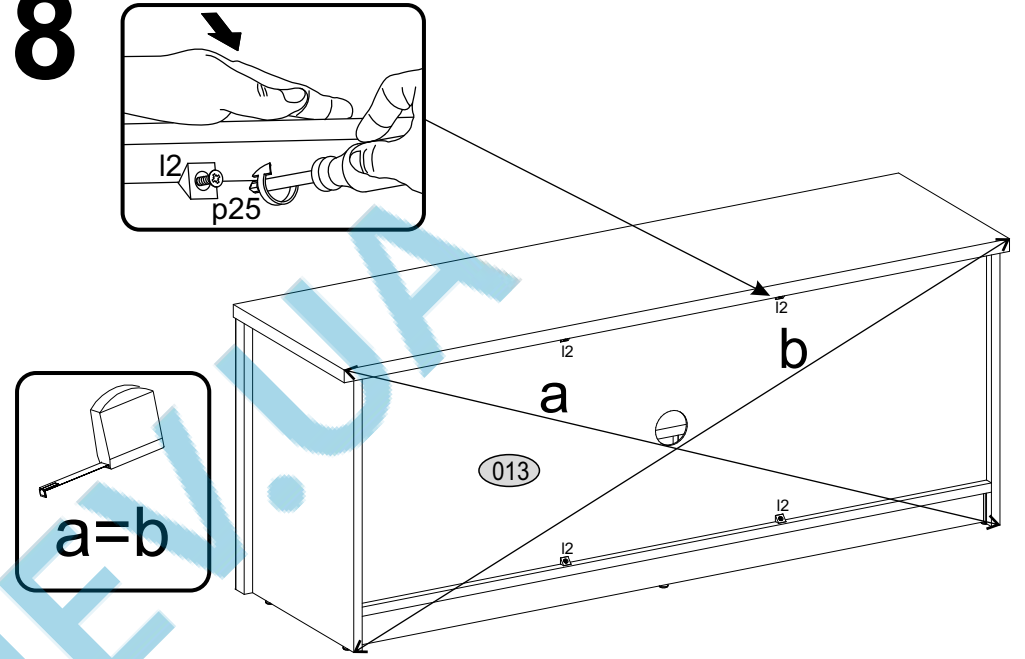
# 6



7



8



9

