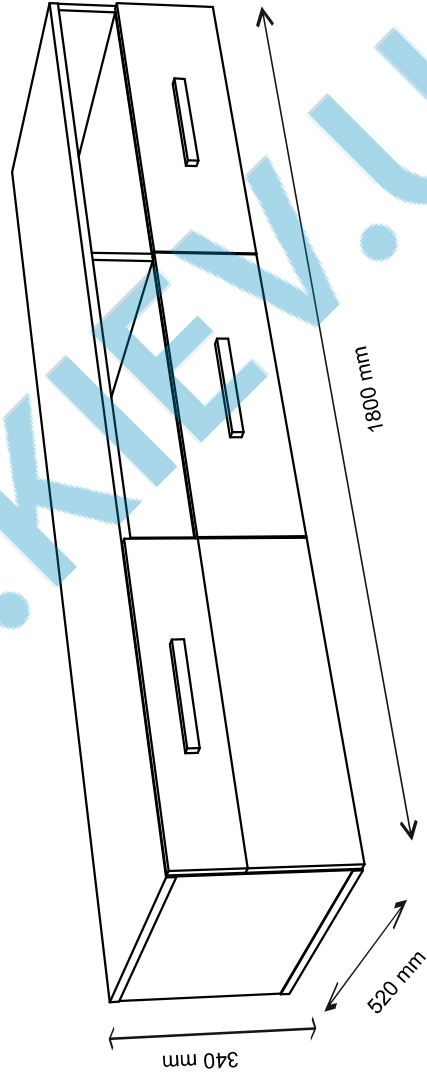
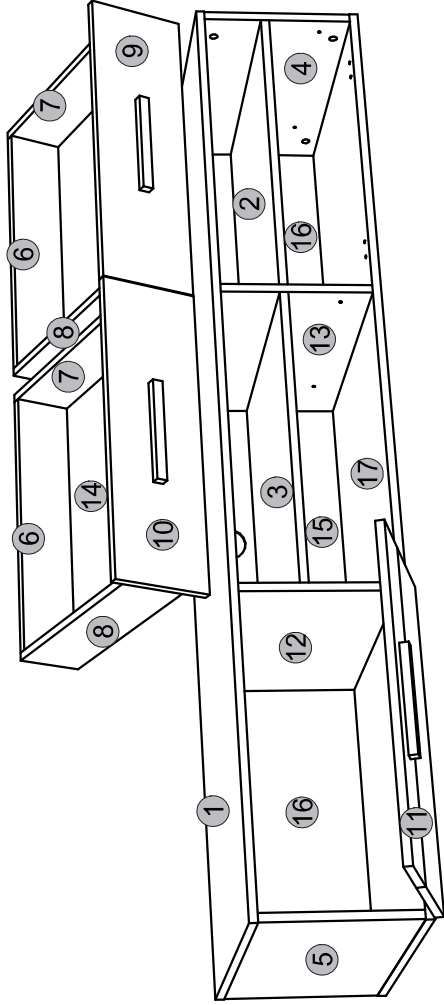
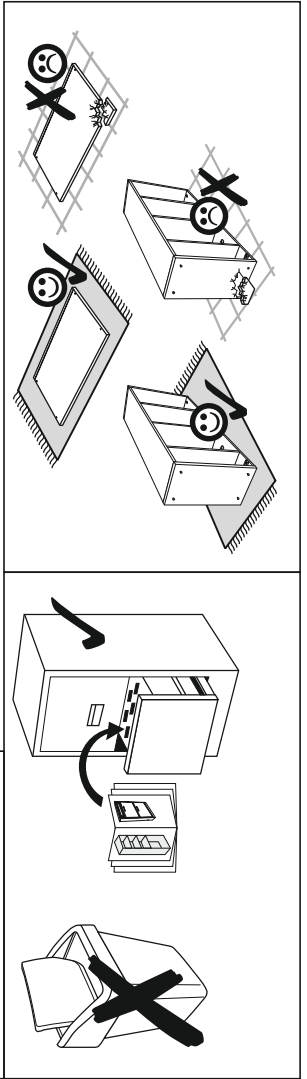
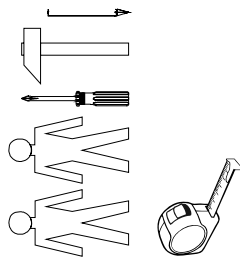
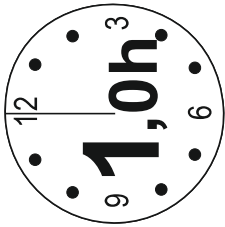
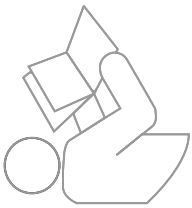
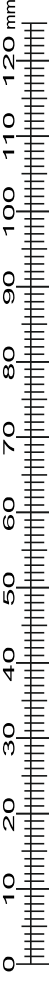
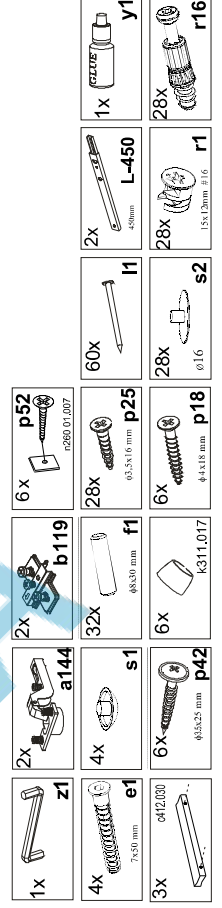


Installation manual

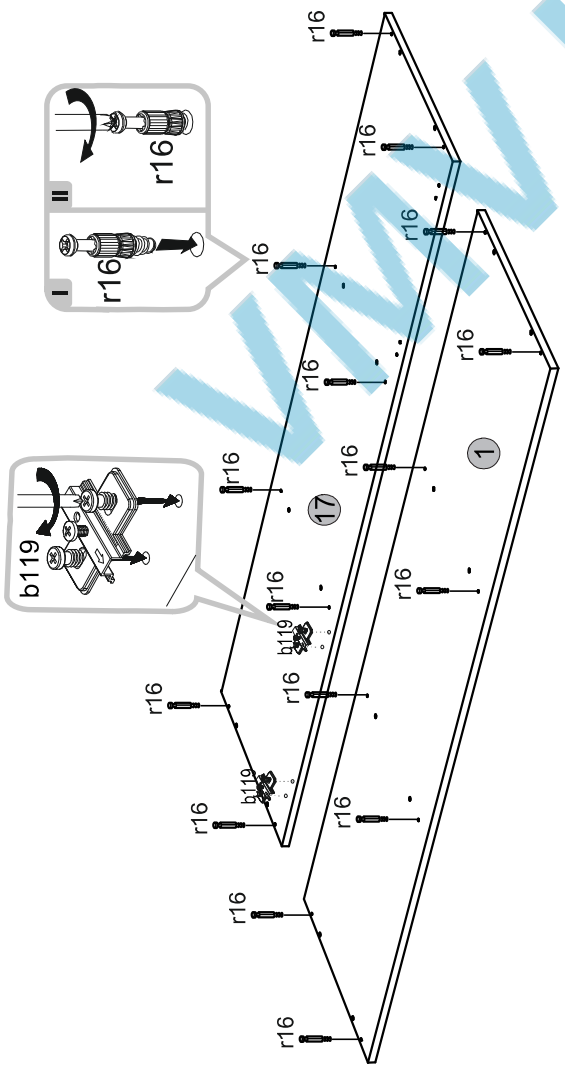
SOLO: RTV_1D2S_L_P



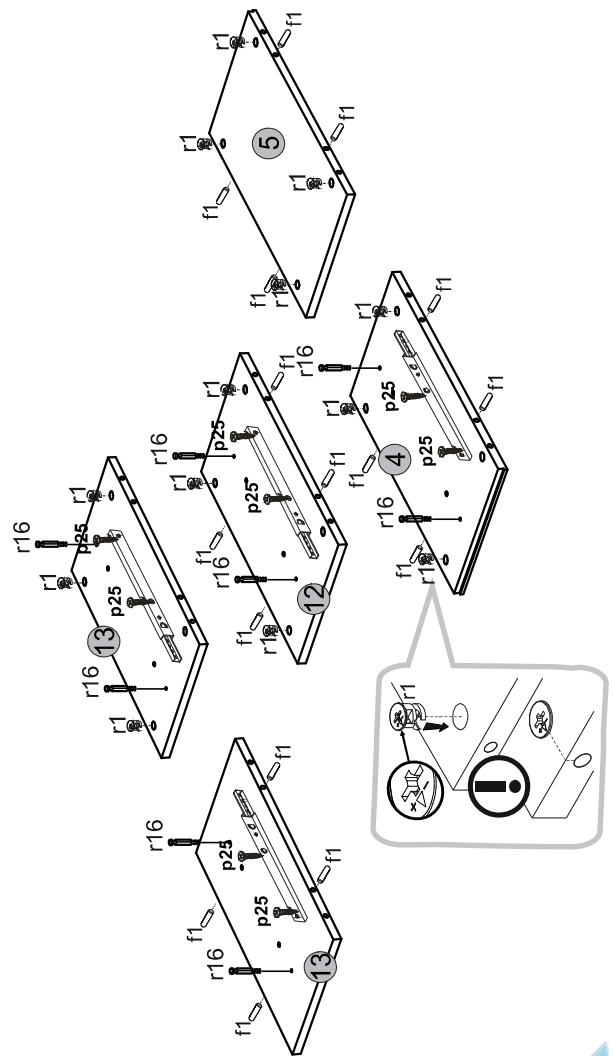
| Element symbol | Dimensions | Code | Package |
|----------------|-------------|--------|---------|
| 1 | 1800 504 16 | SN-222 | 1/1 |
| 2 | 578 501 16 | SN-332 | 1/1 |
| 3 | 578 501 16 | SN-333 | 1/1 |
| 4 | 283 504 16 | SN-148 | 1/1 |
| 5 | 283 504 16 | SN-149 | 1/1 |
| 6 | 520 120 16 | SN-428 | 1/1 |
| 7 | 450 120 16 | SN-429 | 1/1 |
| 8 | 450 120 16 | SN-430 | 1/1 |
| 9 | 188 594 16 | SN-044 | 1/1 |
| 10 | 188 594 16 | SN-046 | 1/1 |
| 11 | 313 596 16 | SN-045 | 1/1 |
| 12 | 283 501 16 | SN-150 | 1/1 |
| 13 | 283 501 16 | SN-151 | 1/1 |
| 14 | 534 448 3 | SN-627 | 1/1 |
| 15 | 301 594 3 | SN-628 | 1/1 |
| 16 | 301 594 3 | SN-629 | 1/1 |
| 17 | 1800 504 16 | SN-223 | 1/1 |



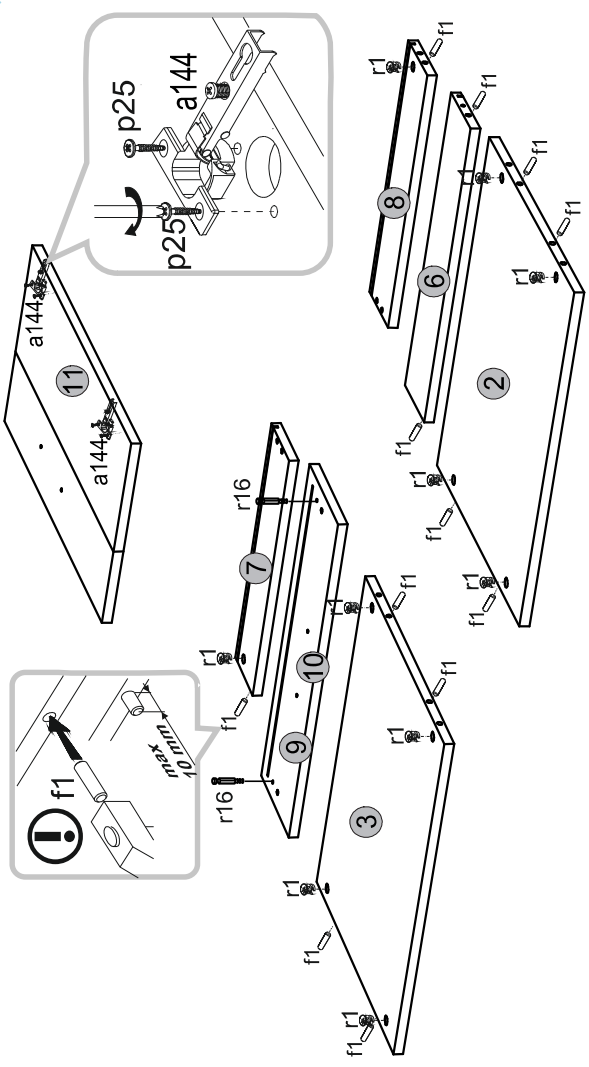
1



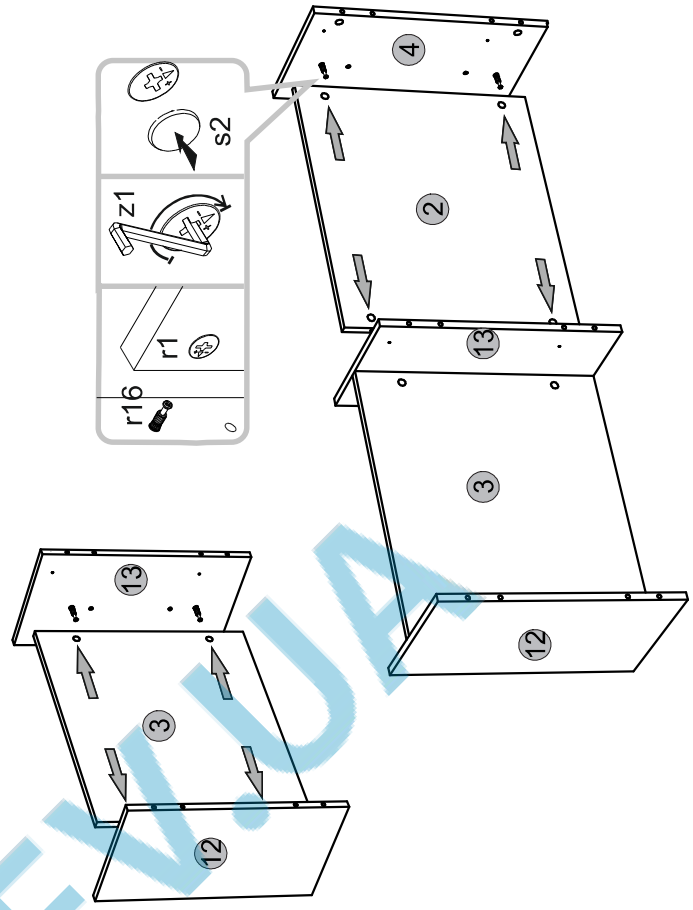
3



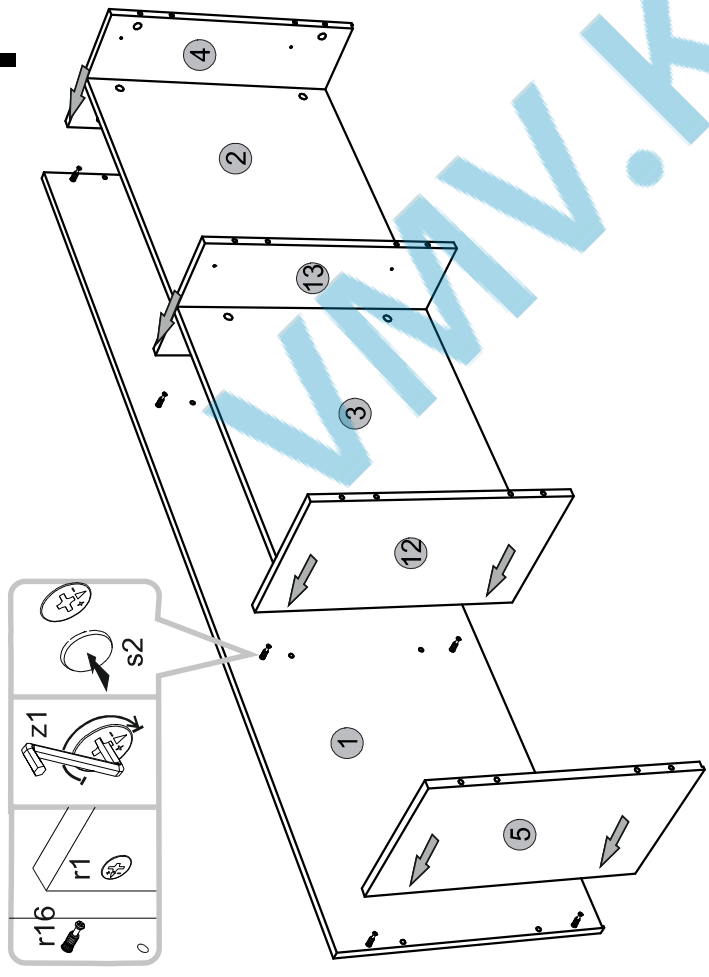
2



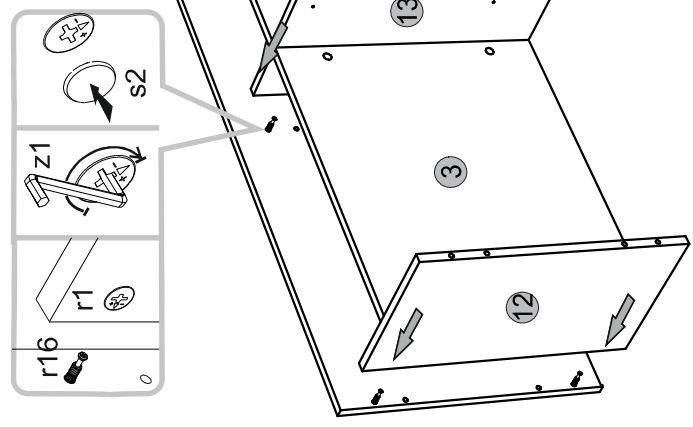
4



5

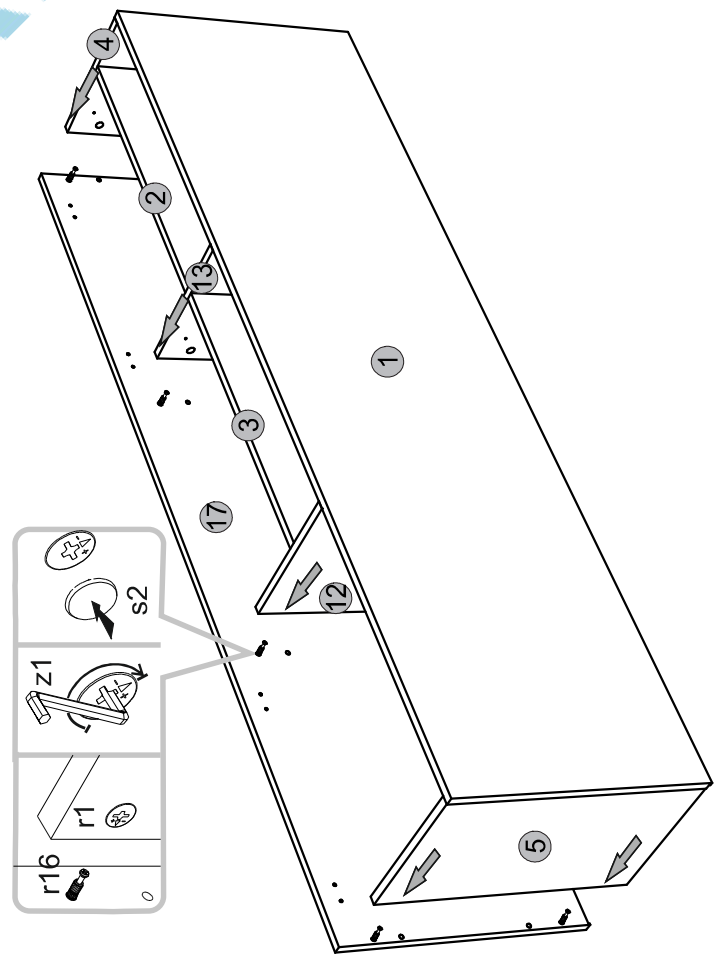


5

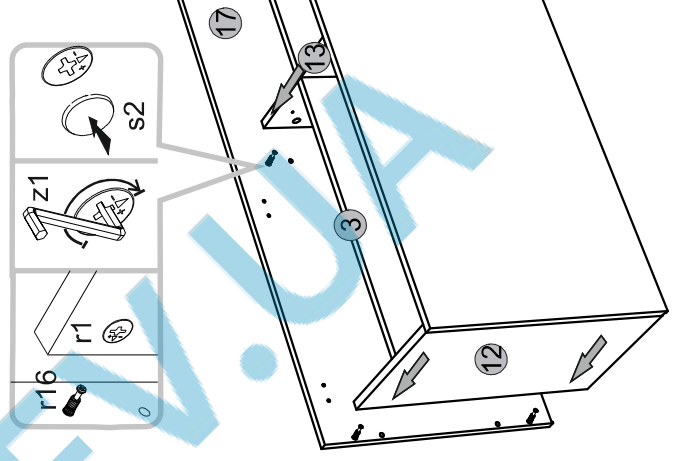


11

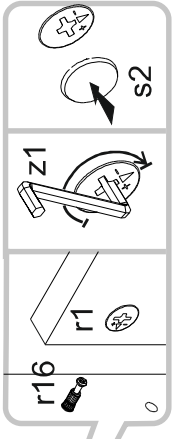
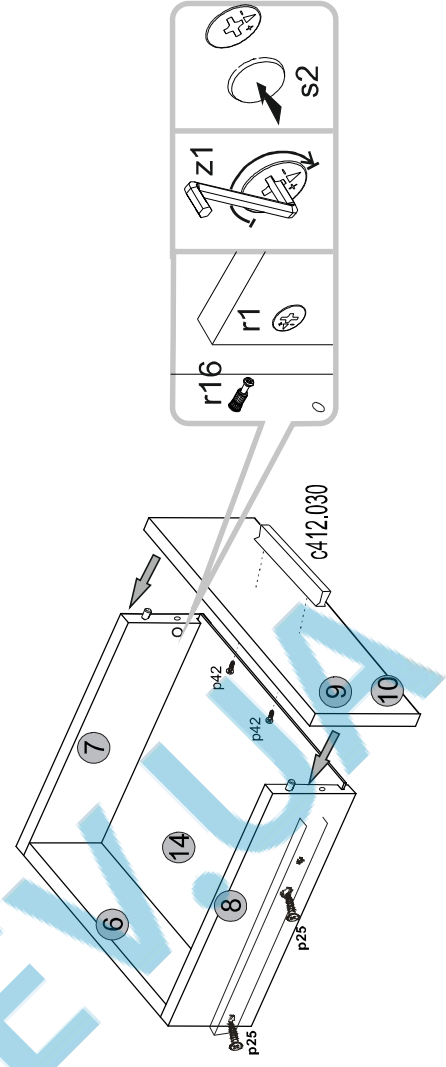
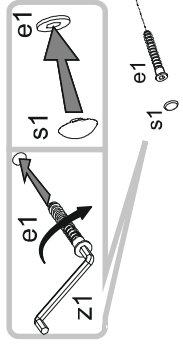
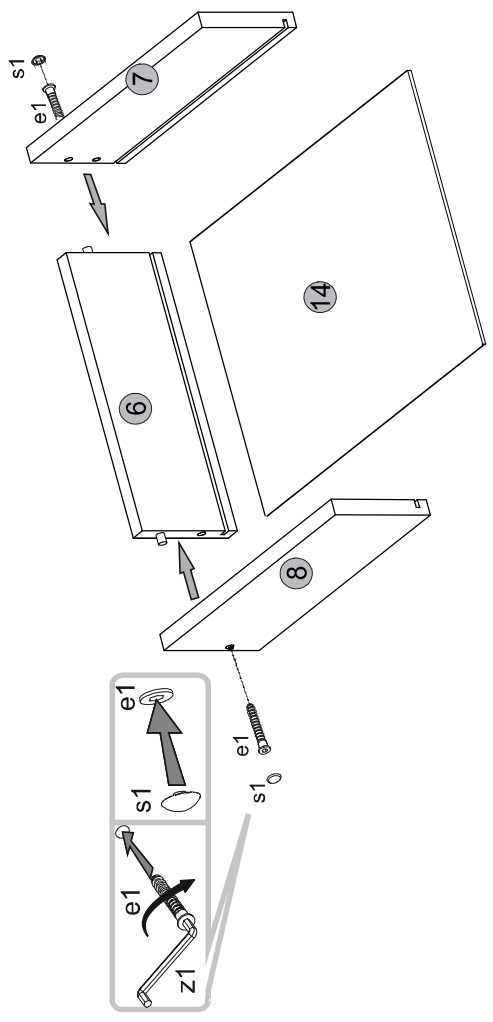
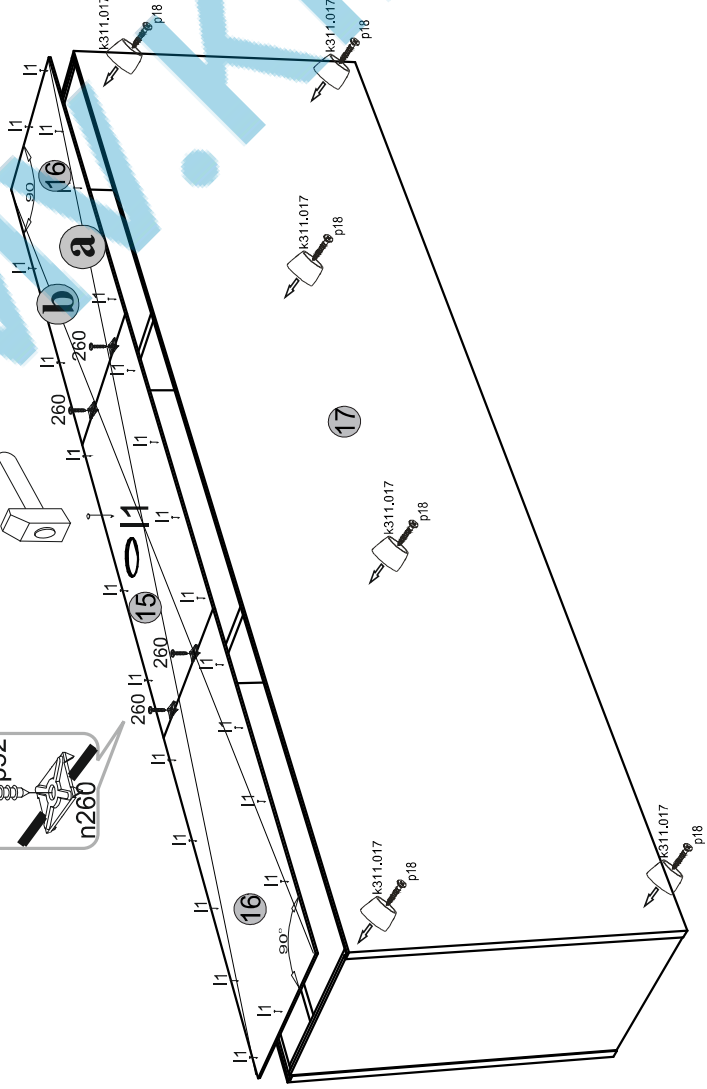
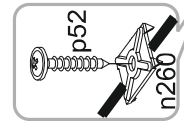
6



6



! a=b



9

9

11

