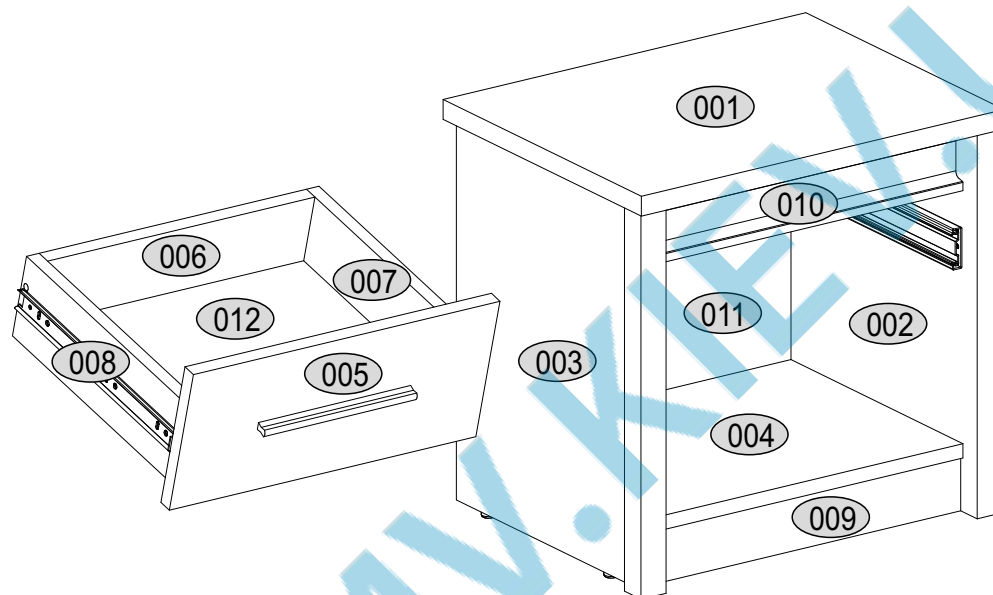
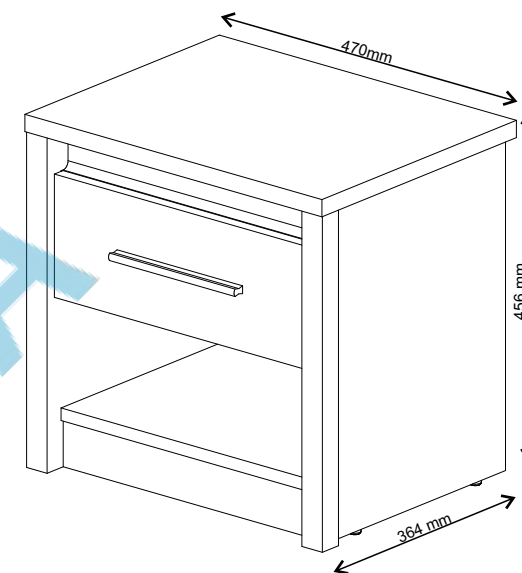
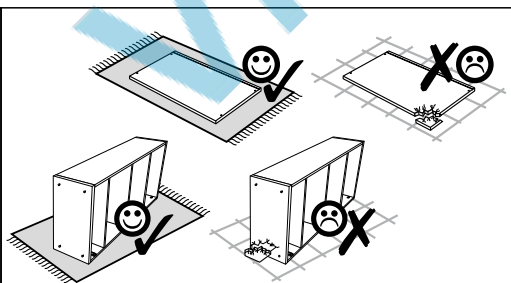
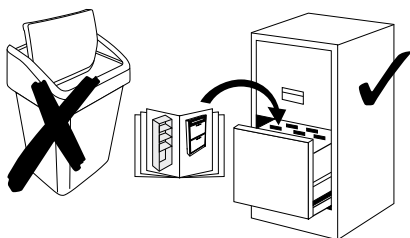
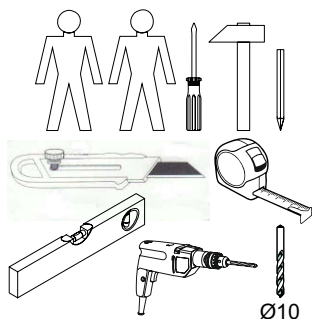
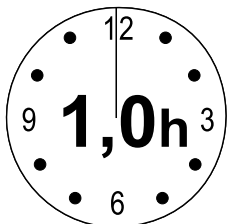




Installation manual

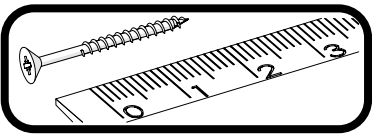
AYSON: szafka nocna 1s



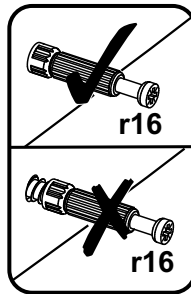
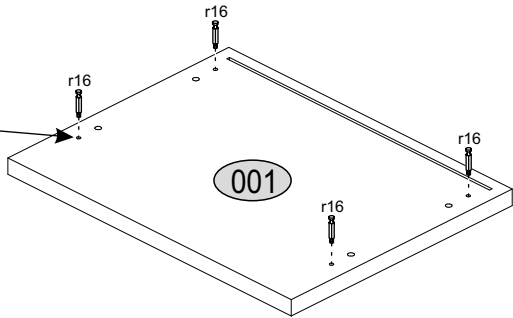
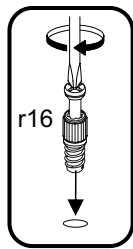
Code	Dimensions			Package
001	470	364	22	1 / 1/1
002	428	360	16/32	1 / 1/1
003	428	360	16/32	1 / 1/1
004	398	334	16	1 / 1/1
005	392	157	16	1 / 1/1
006	342	100	16	1 / 1/1
007	300	100	16	1 / 1/1
008	300	100	16	1 / 1/1
009	398	60	16	1 / 1/1
010	398	60	30	1 / 1/1
011	370	416	3	1 / 1/1
012	360	302	3	1 / 1/1
accessories				1 / 1/1

<p>x2 e1</p> <p>Ø 7x50mm</p> 	<p>x10 r1</p> <p>Ø 15x12mm</p> 	<p>x10 r16</p> 	<p>x2 s2</p> 
<p>x20 f1</p> <p>Ø 8x30mm</p> 	<p>x1 lb-L300</p> 	<p>x12 p25</p> <p>Ø 3,5x16mm</p> 	<p>x4 k1</p> 
<p>x1 c412.030</p> 	<p>x2 p42</p> <p>Ø 3,5x25mm</p> 	<p>x1 z1</p> 	

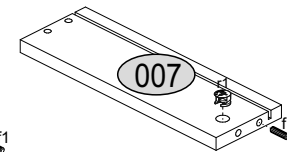
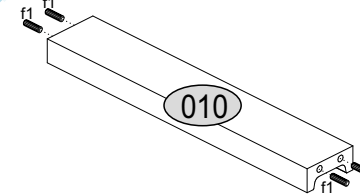
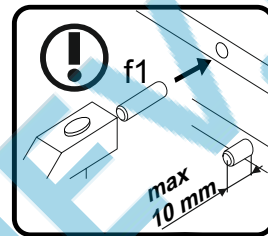
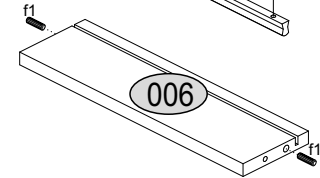
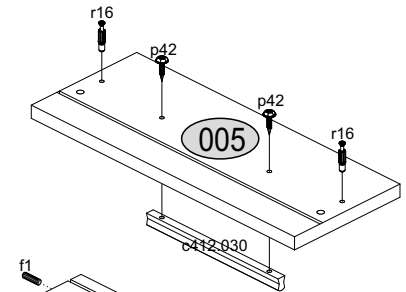
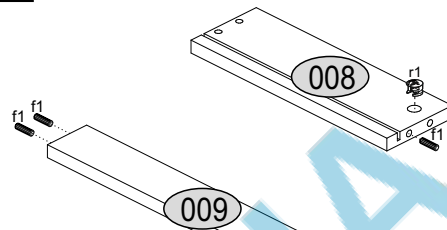
VMMV.KIEV.UA



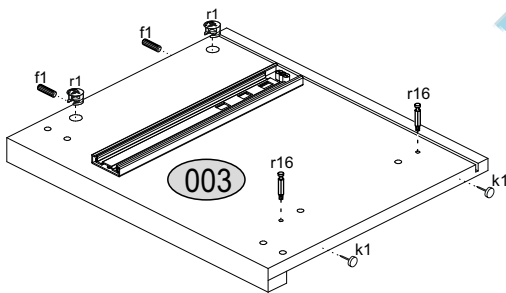
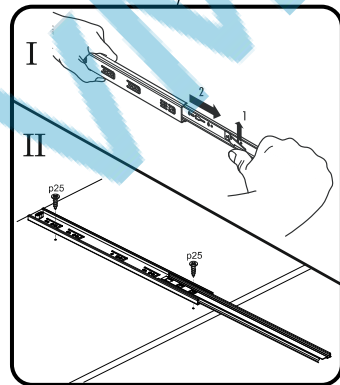
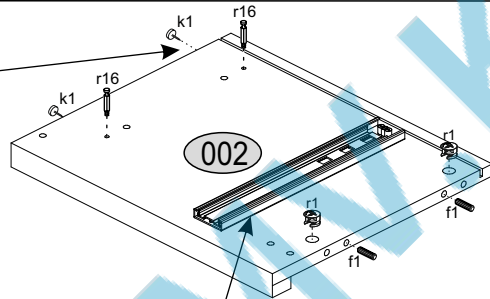
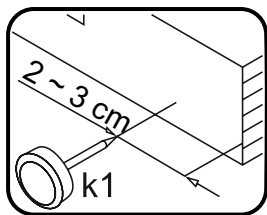
1



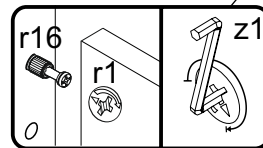
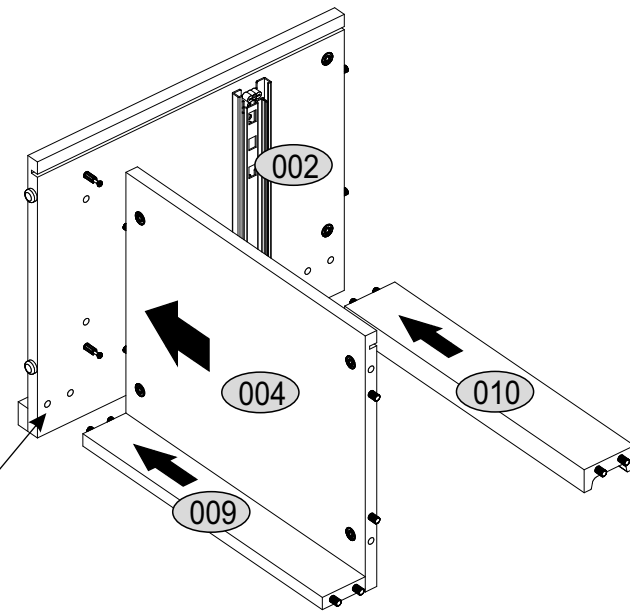
2



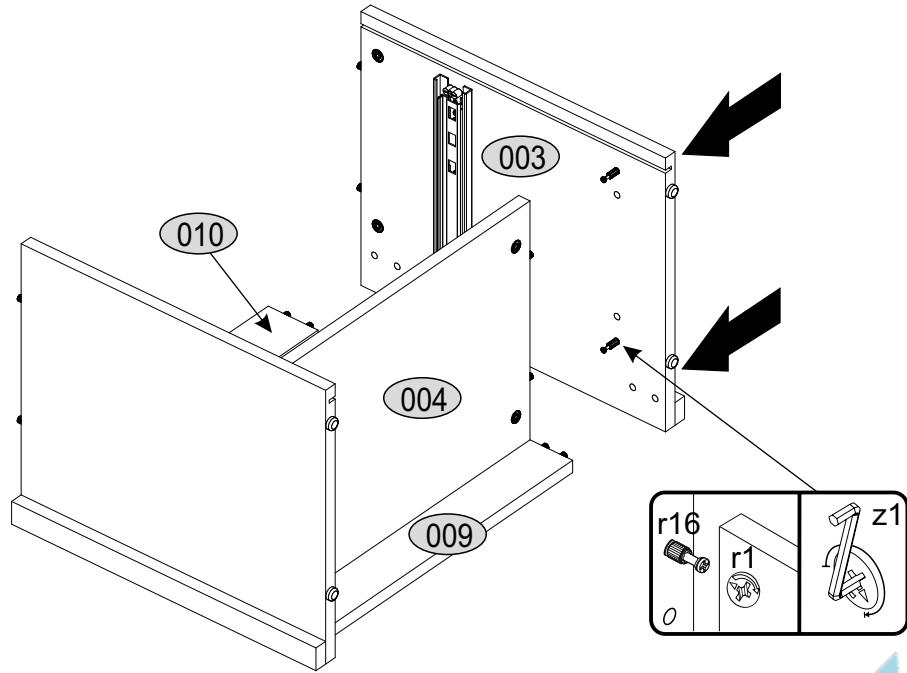
3



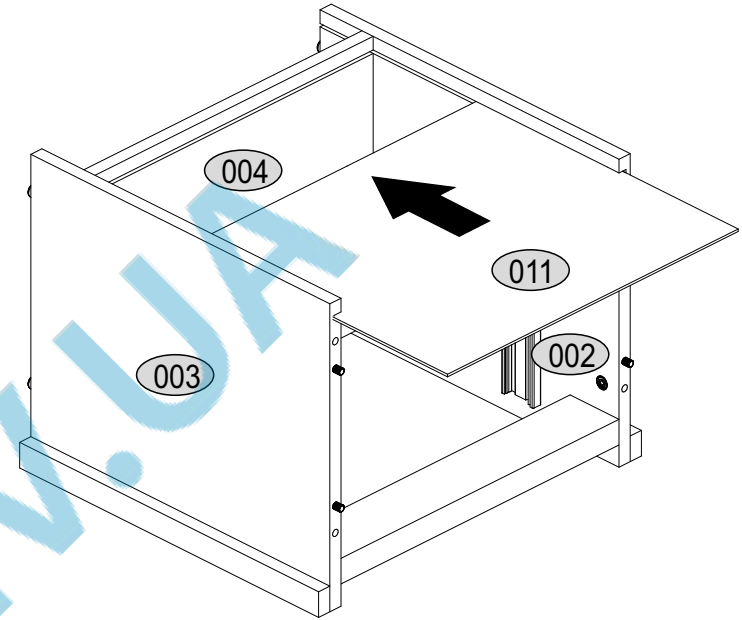
4



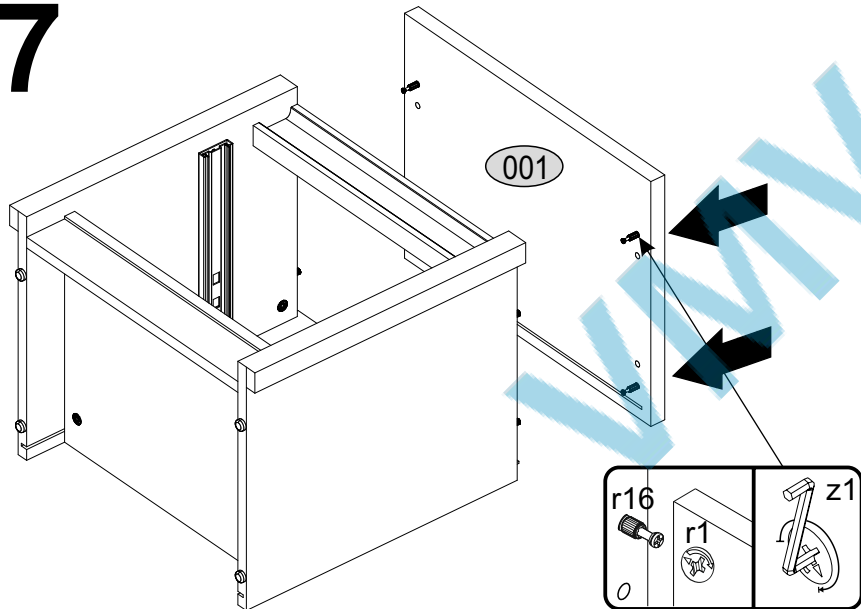
5



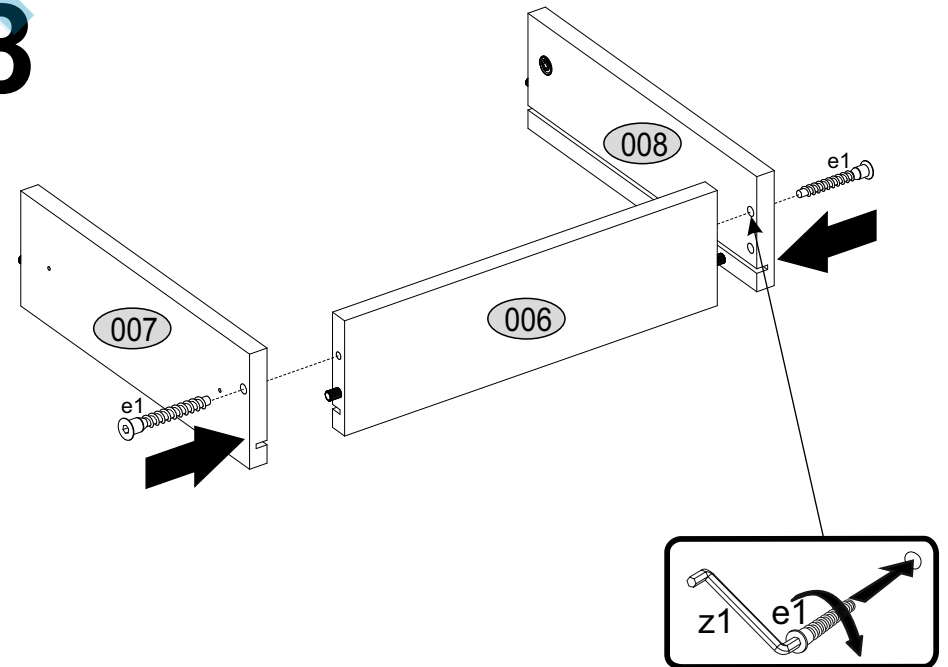
6



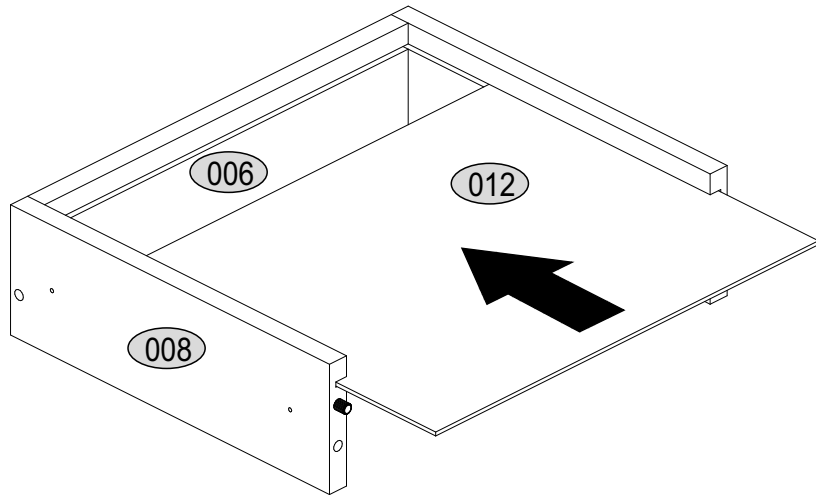
7



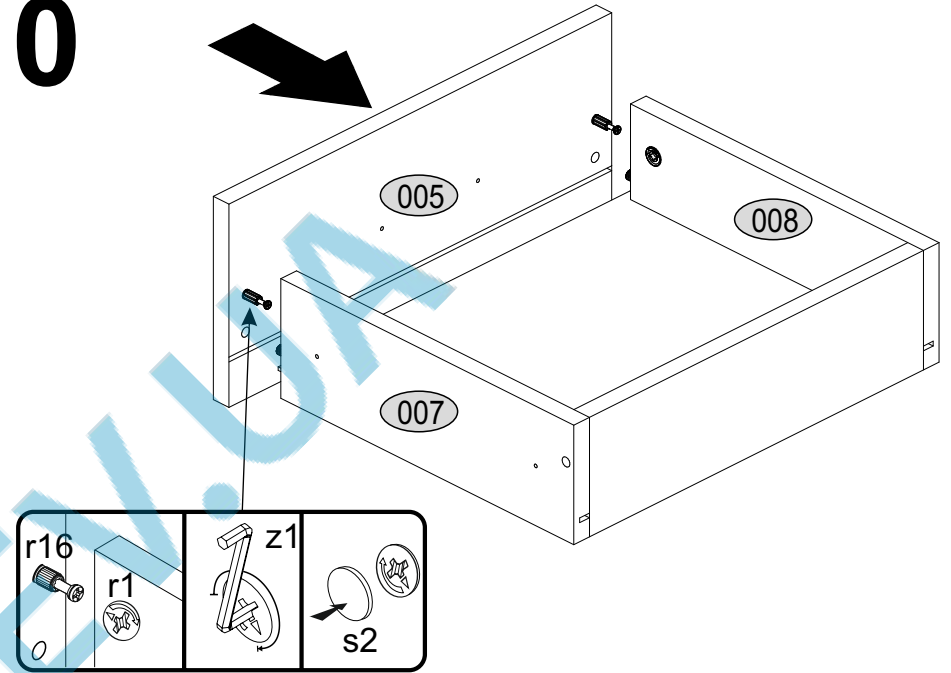
8



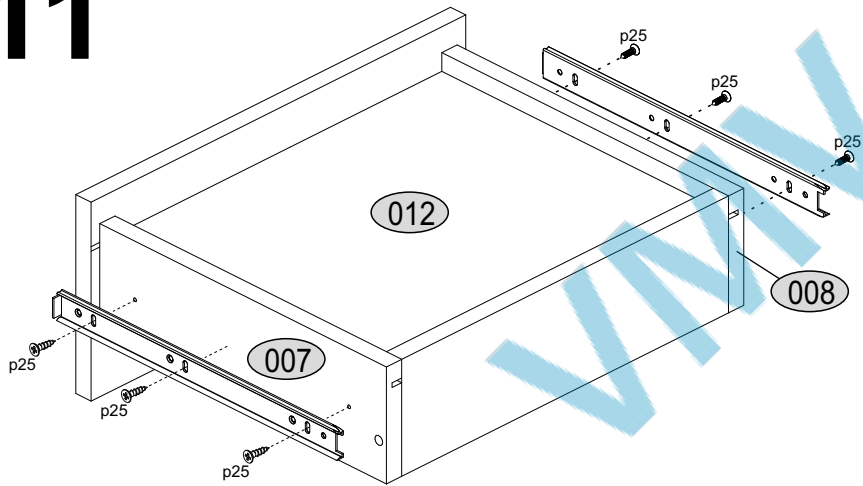
9



10



11



12

