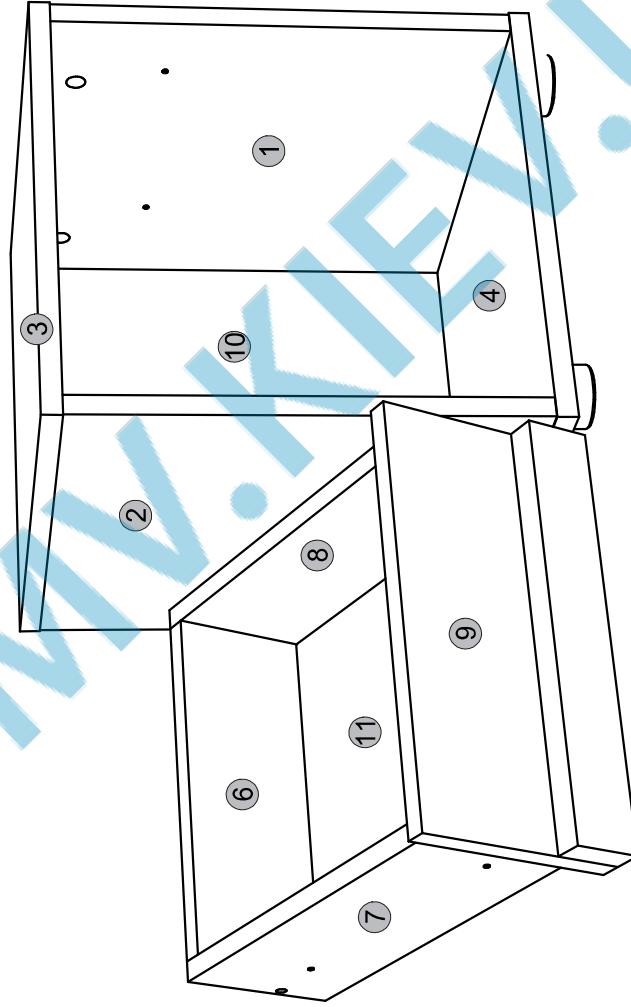
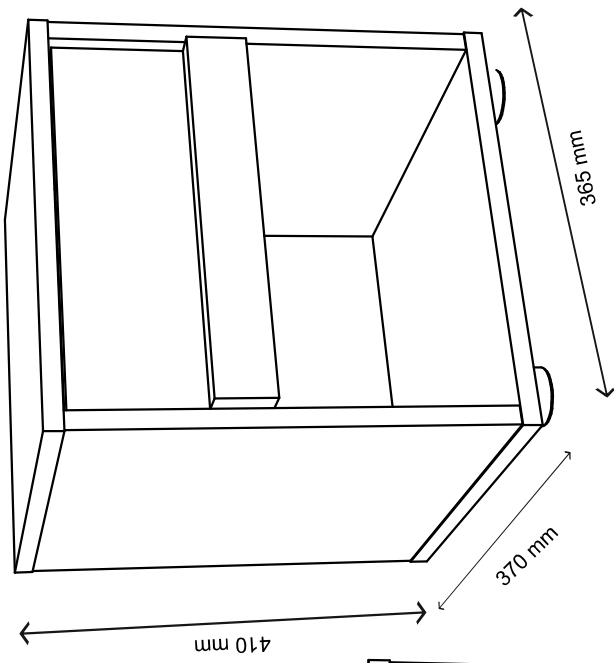
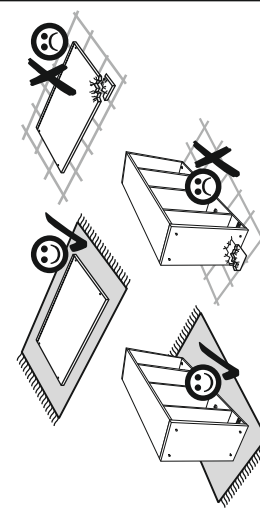
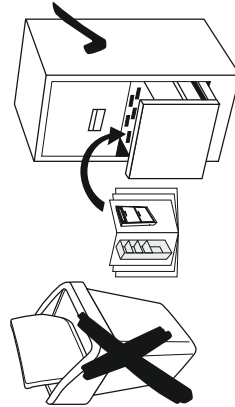
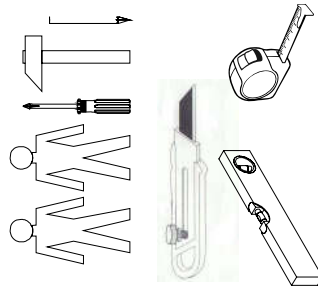
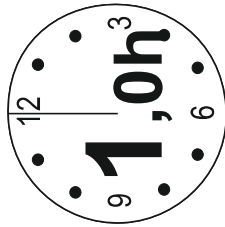
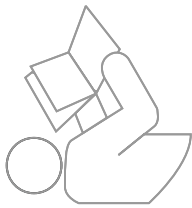


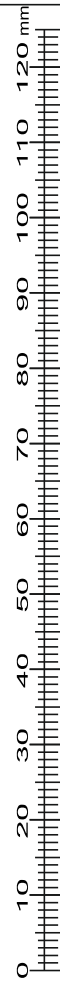
Instalation manual

ALEX: Nightstand

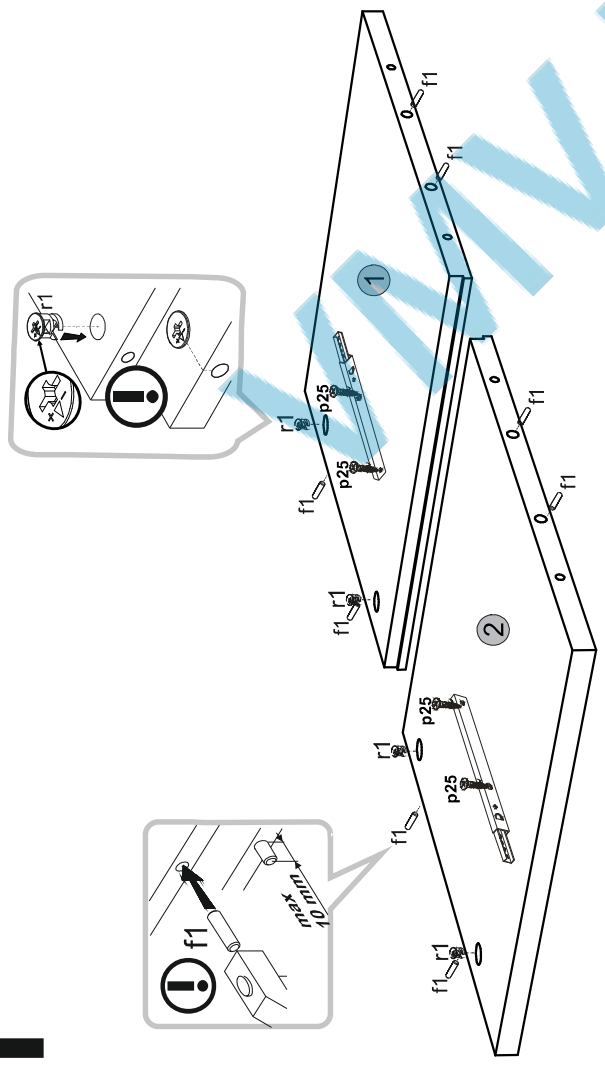


Element symbol	Dimensions		Code	Package
	358	16		
1	358	16	A - 112	1/1
2	358	16	A - 113	1/1
3	363	16	A - 207	1/1
4	363	16	A - 208	1/1
5	272	120	A - 509	1/1
6	272	120	A - 510	1/1
7	320	120	A - 511	1/1
8	320	120	A - 512	1/1
9	160	323	A - 010	1/1
10	376	347	A - 608	1/1
11	286	302	A - 609	1/1

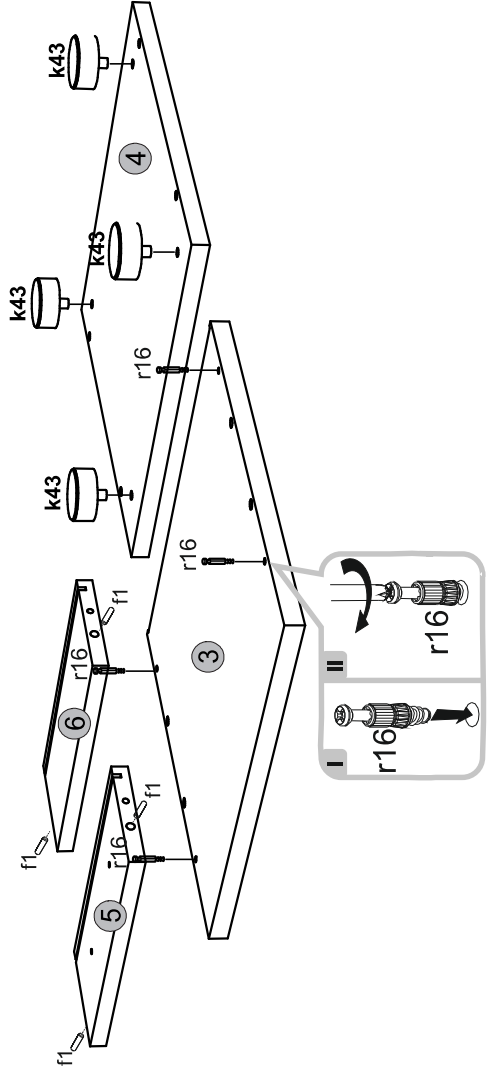
2x	4x	4x	4x	8x	4x	1x
p26	r1	r16	s1	s2	z1	
4x35 mm	4x15x2mm 16	8x	8x	8x	12x	
4x	1x	12x	2x	8x	12x	f1
k43	L-300	p25	p21	e1		
4x 10mm	50mm	63,5x16 mm	64x30mm	63x56 mm	66x10 mm	



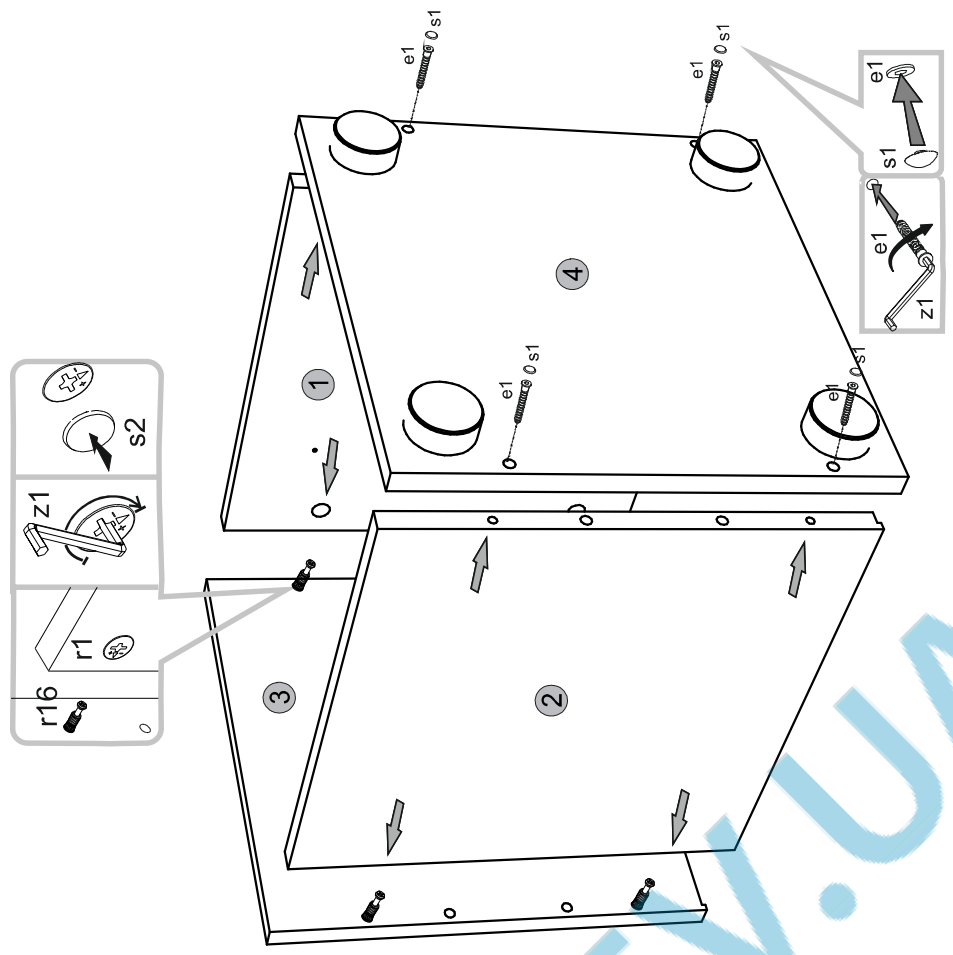
1



2



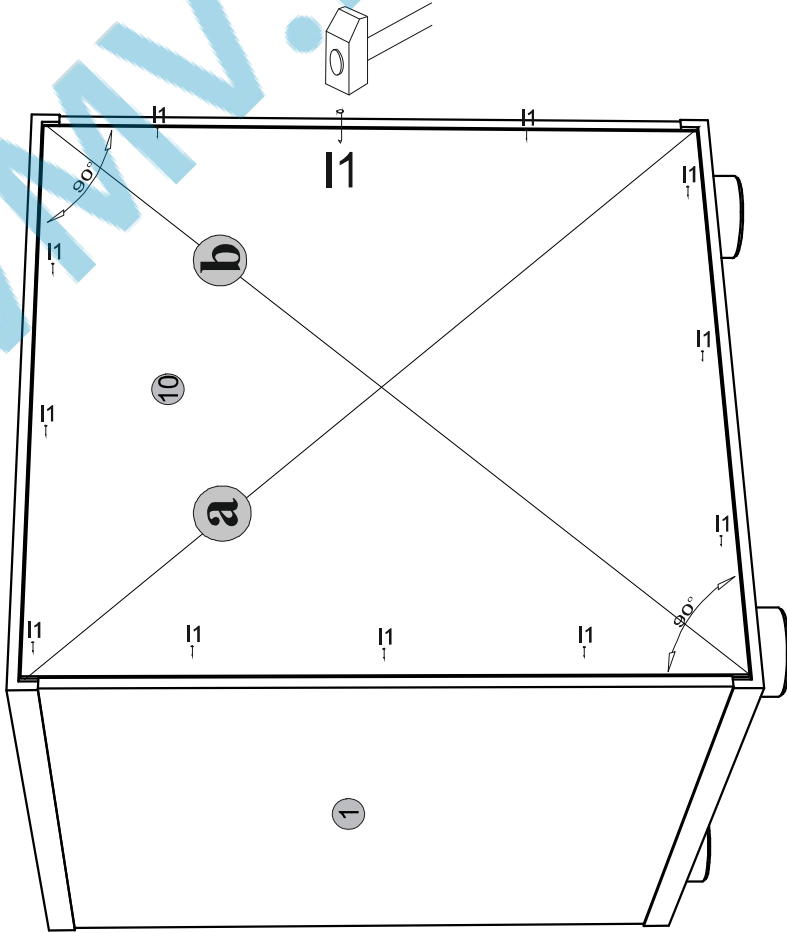
3



WWW.KIEV.UA

4

! a=b



5

