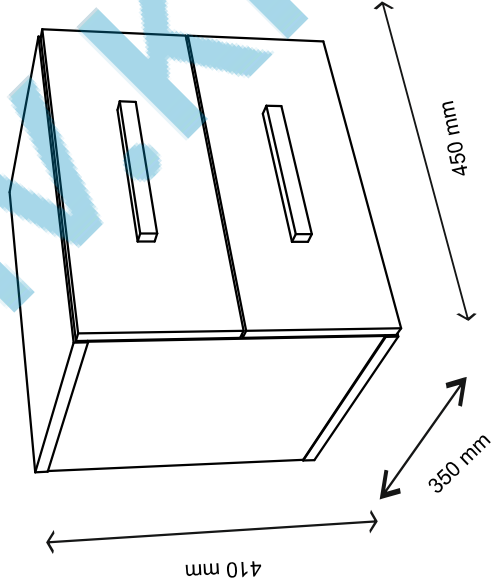
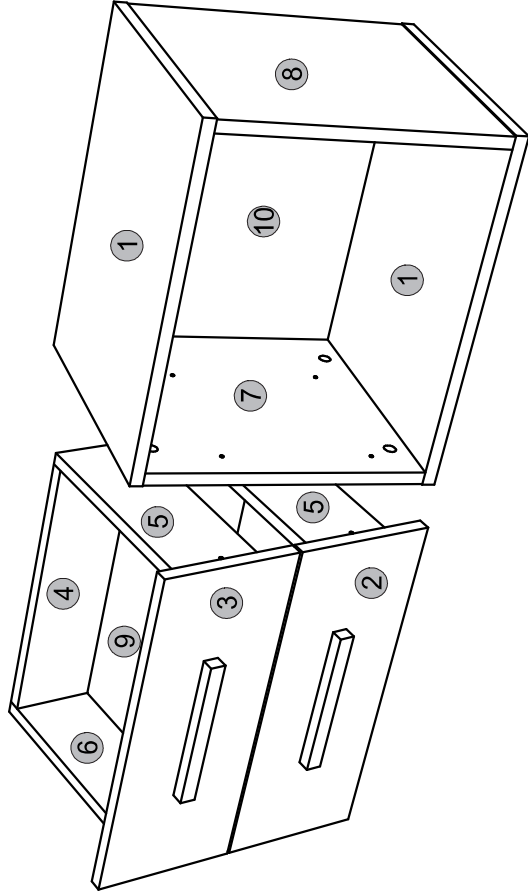
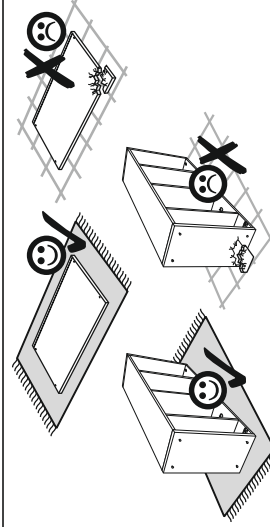
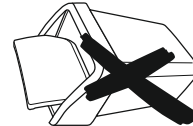
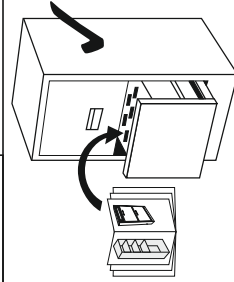
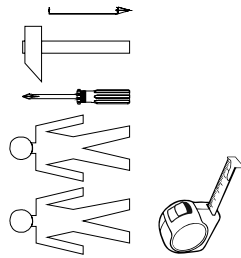
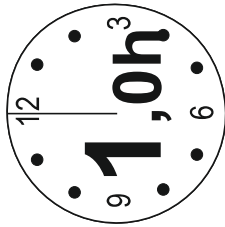
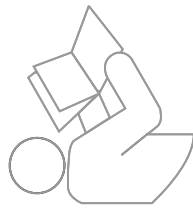
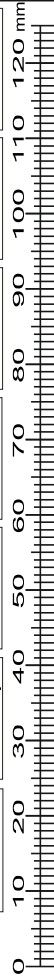
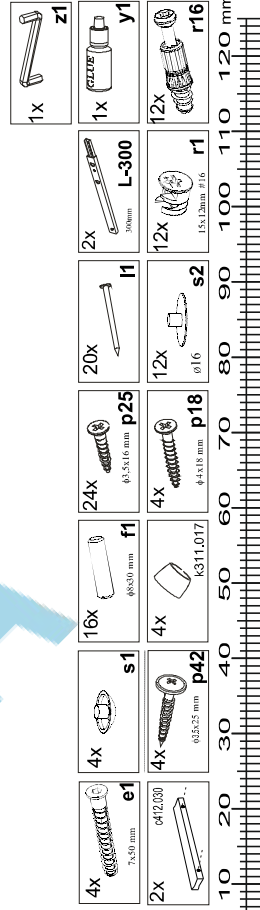


Instalation manual

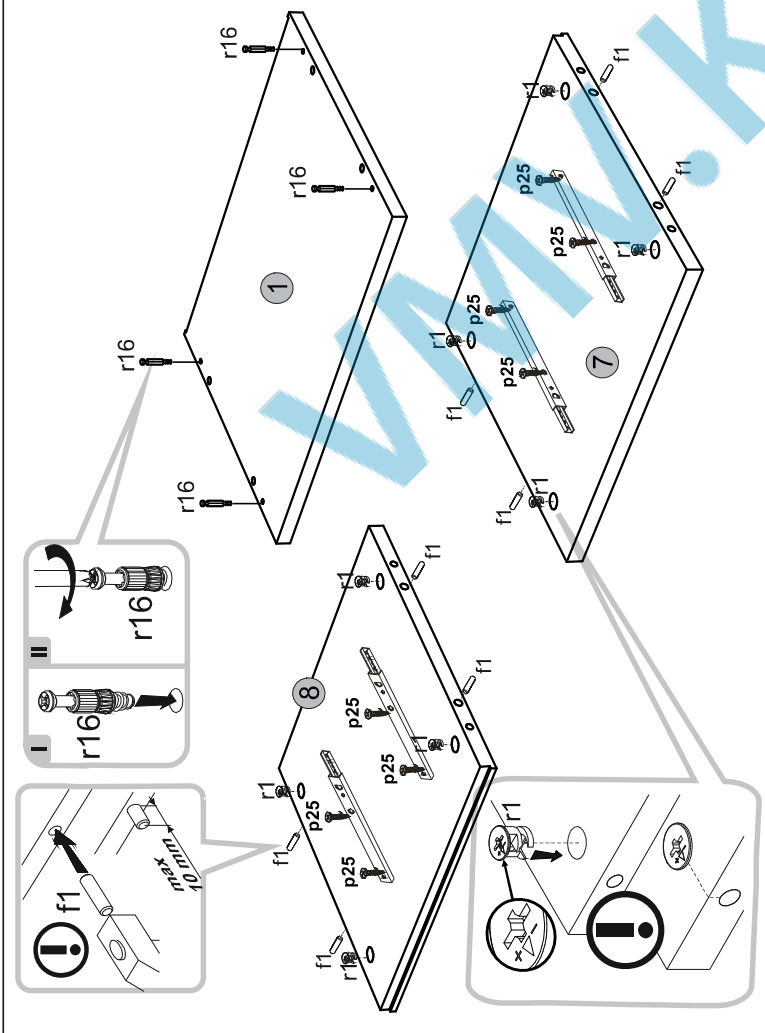
SOLO: SZFK_NOCNA_2S



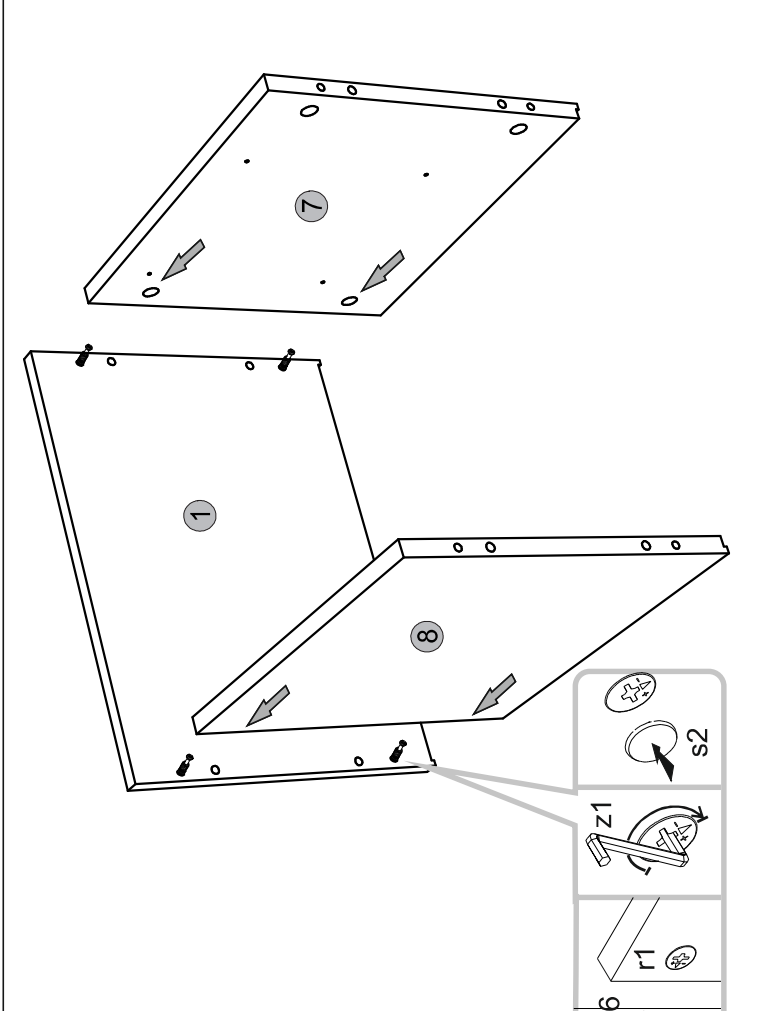
Element symbol	Dimensions	Code	Package
1	334 16 2	SN-207	1/1
2	446 16 1	SN-021	1/1
3	446 16 1	SN-022	1/1
4	358 120 16 2	SN-407	1/1
5	300 120 16 2	SN-408	1/1
6	300 120 16 2	SN-409	1/1
7	352 334 16 1	SN-119	1/1
8	352 334 16 1	SN-120	1/1
9	372 298 3 2	SN-611	1/1
10	370 434 3 1	SN-612	1/1



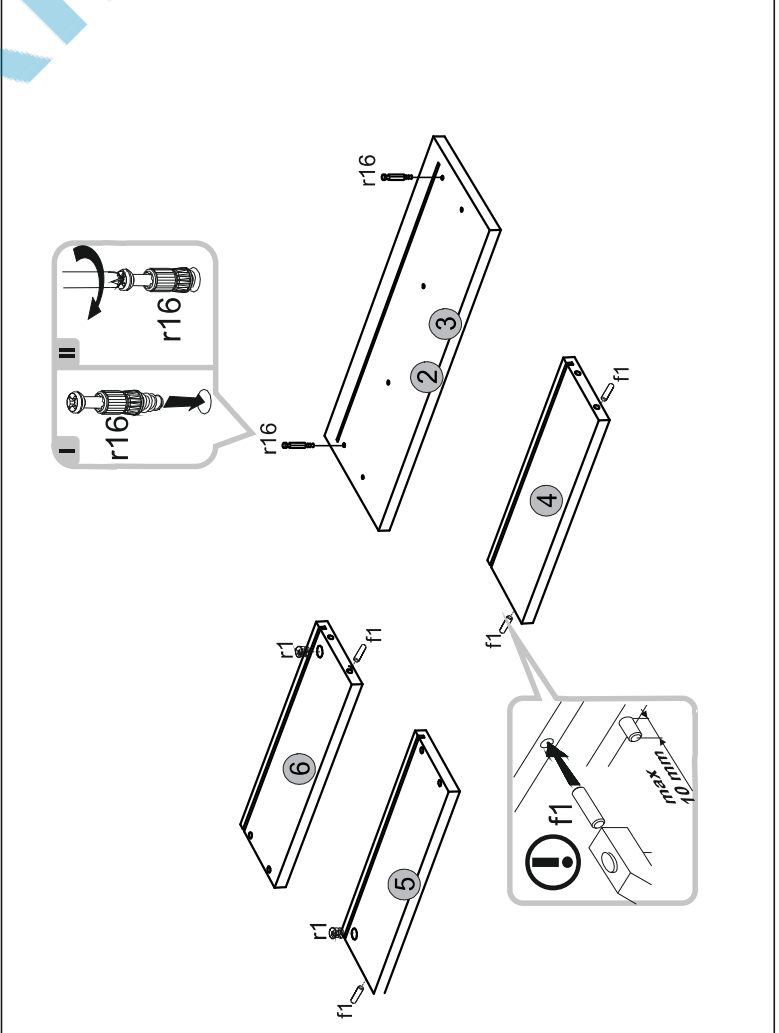
1



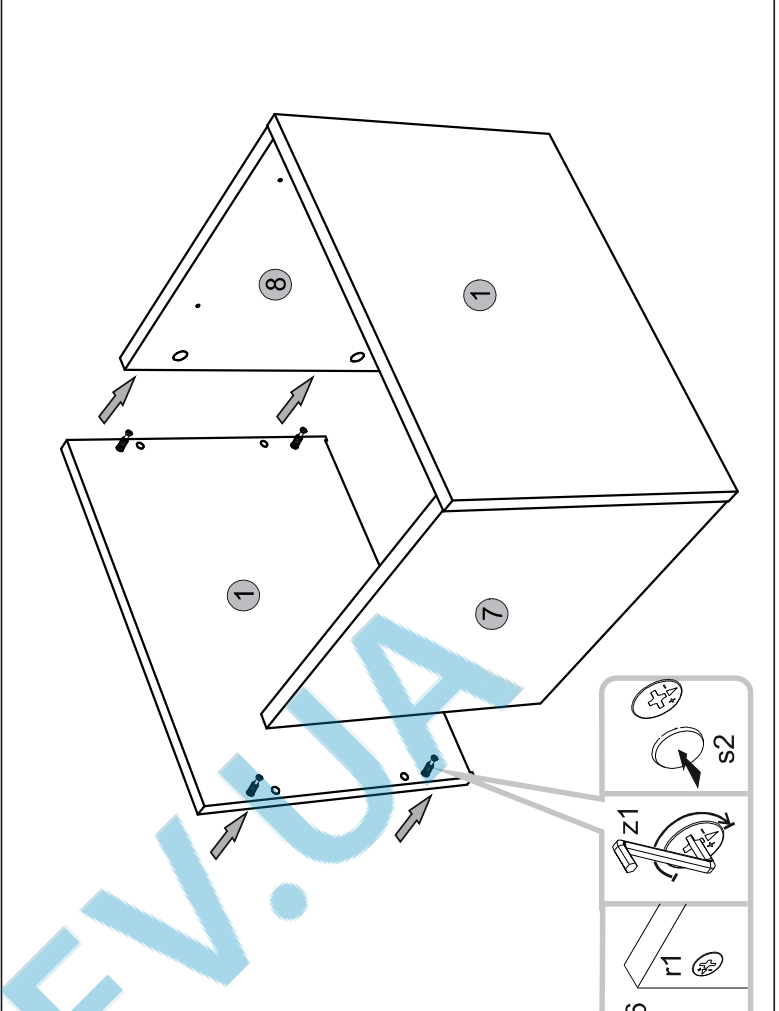
3



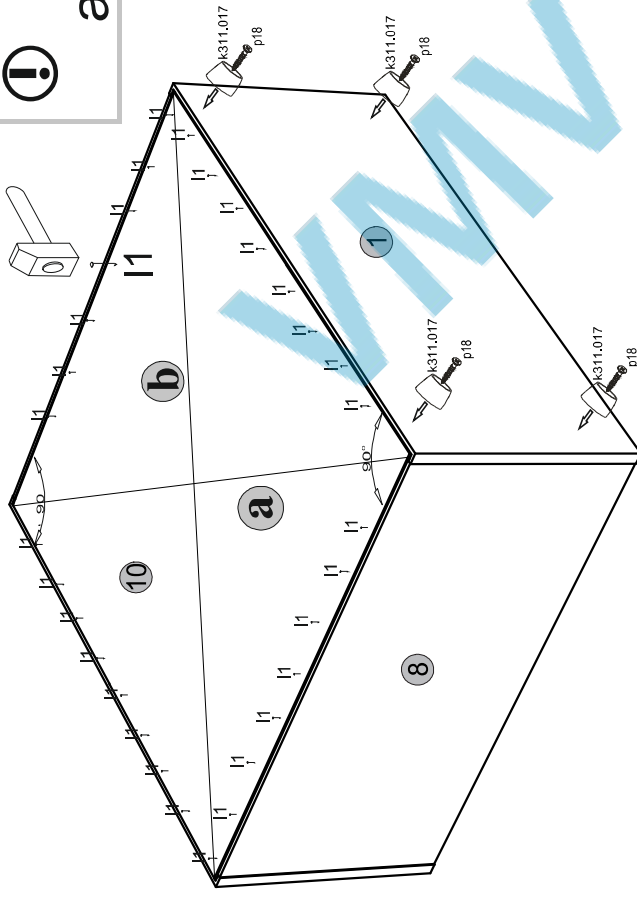
2



4

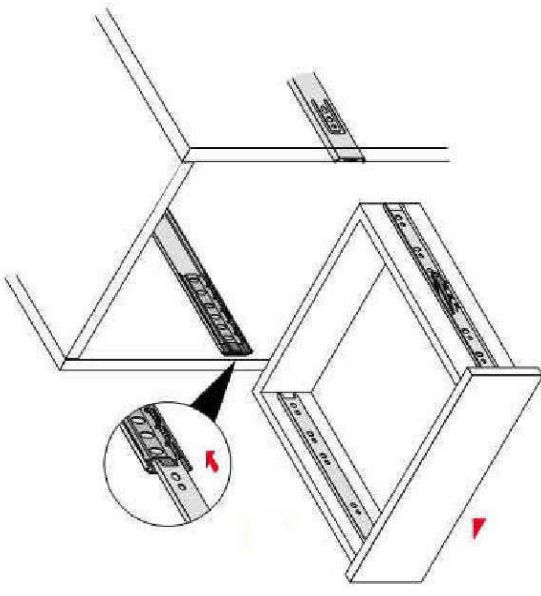


5



! a=b

7



6

