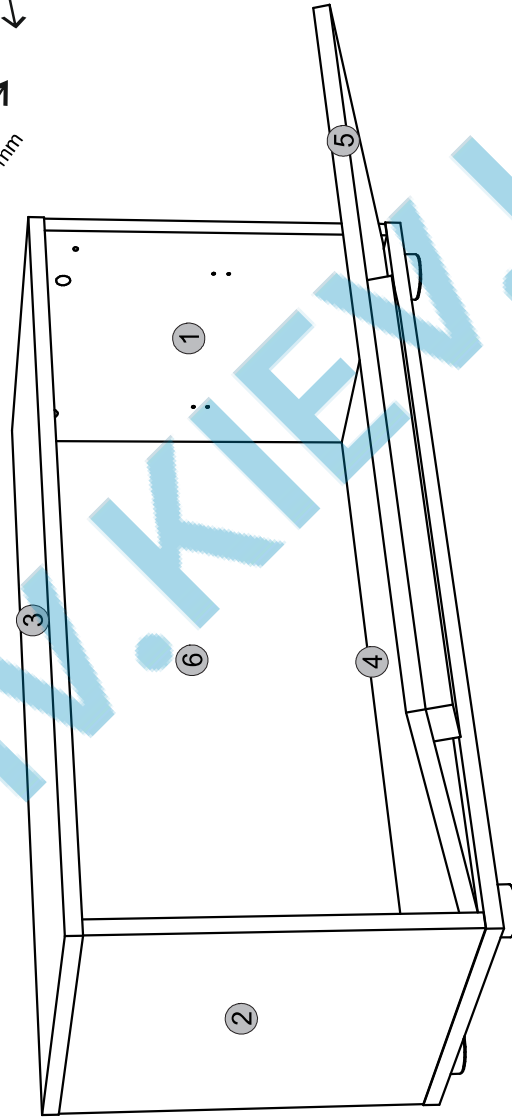
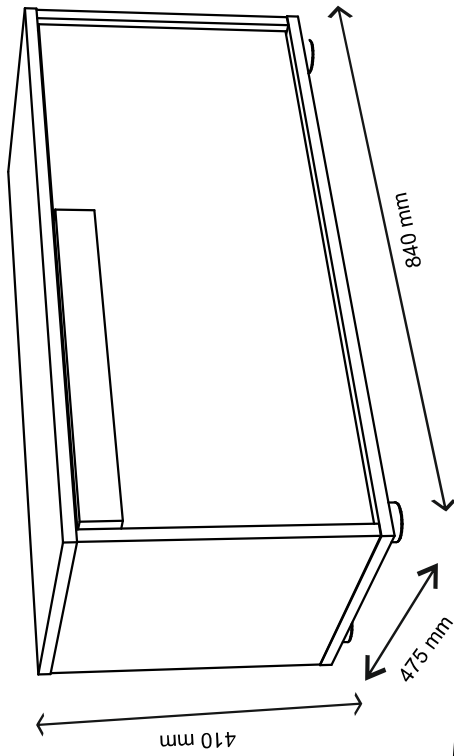
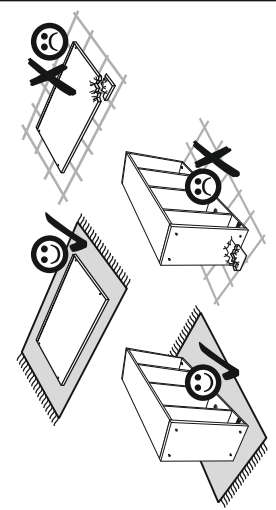
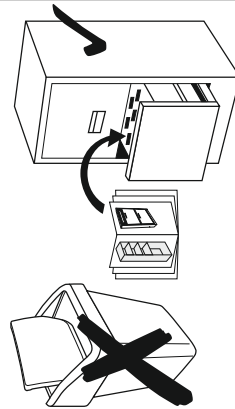
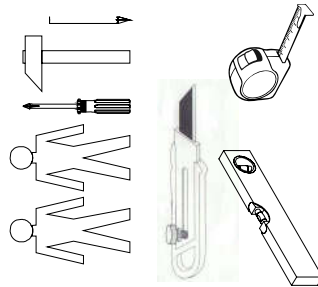
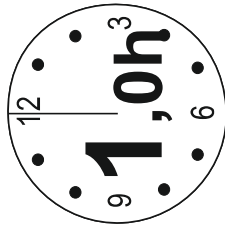
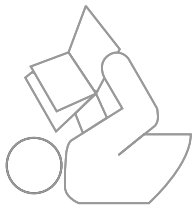


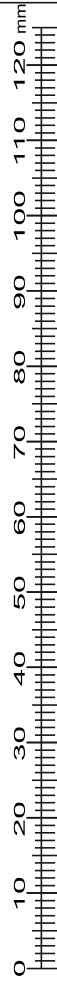
# Instalation manual

ALEX: Chest

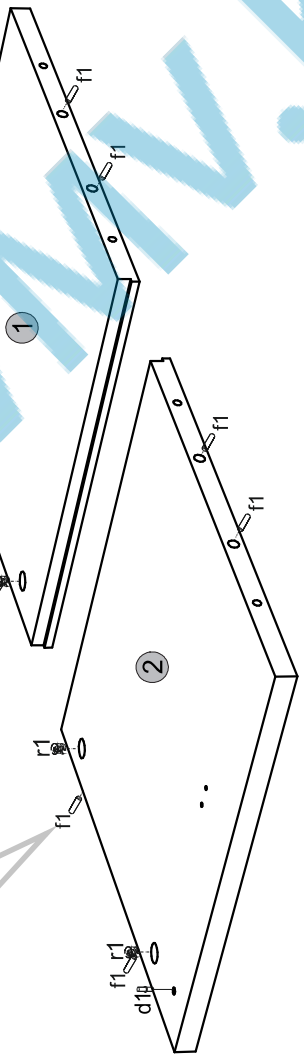
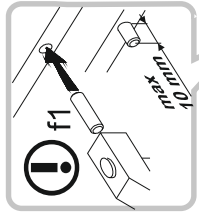
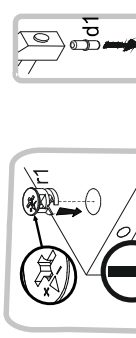


Element symbol	Dimensions	Code	Package
1	354 16	A-114	1/1
2	358 16	A-115	1/1
3	840 16	A-209	1/1
4	840 16	A-210	1/1
5	352 800	A-011	1/1
6	376 824	A-610	1/1

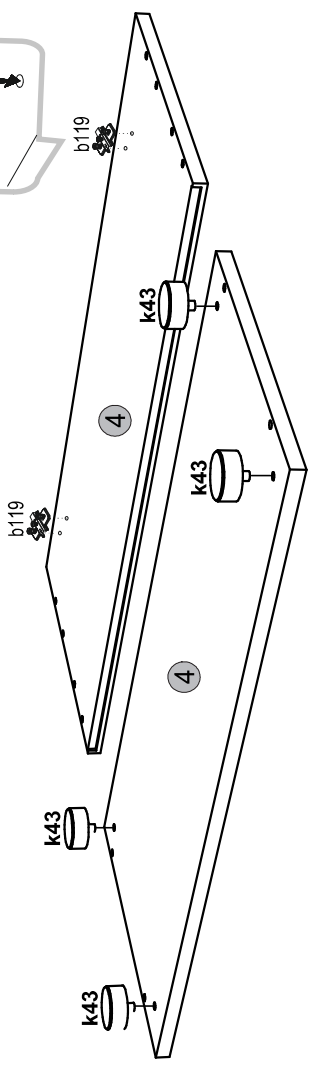
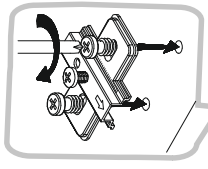
4x	s1 ø16	4x	s2	30x	l1	2x	d1 ø6x17 mm	2x	p26 ø6x37 mm	6x	p54 ø3x12 mm
4x	r1 ø15x12mm ø16	4x	r16	4x	p25 ø3,5x16 mm	1x	m1 <sup>L</sup>	1x	m1 <sup>R</sup> 48 (lmm)	4x	k43
2x	a143	2x	b119	4x	e1 ø7,5x9 mm	8x	f1 ø6x30 mm	1x	z1	8x	p50 ø2,5x2 mm



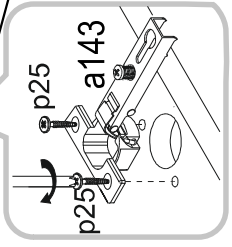
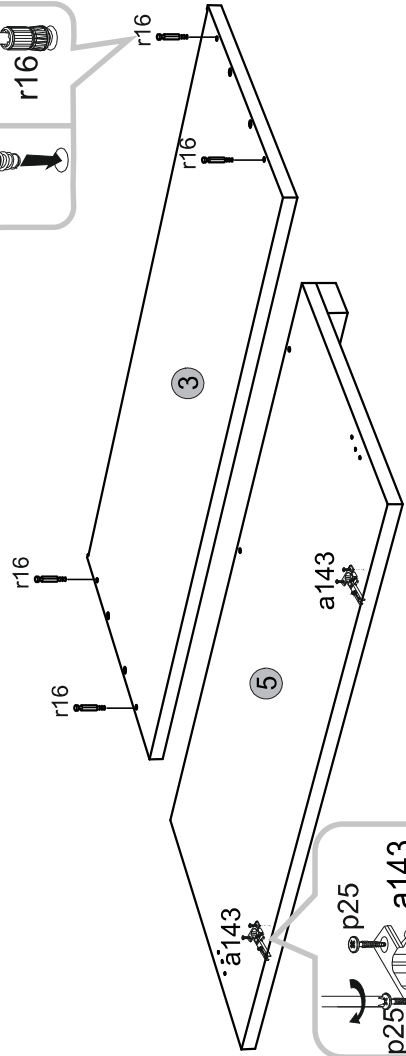
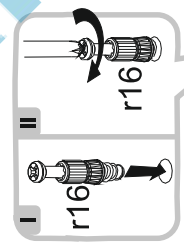
1



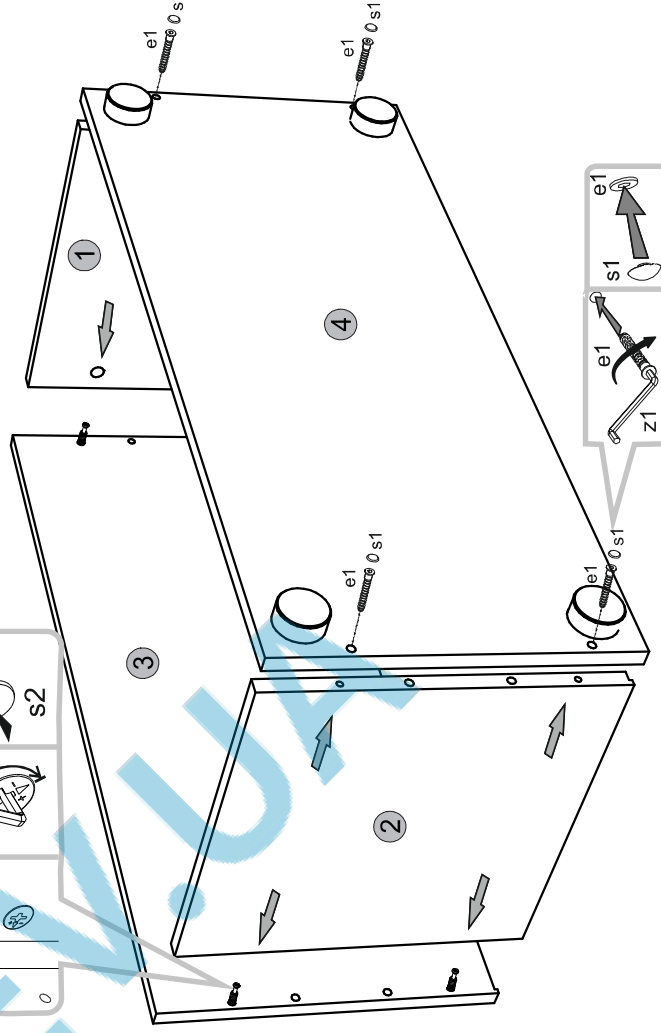
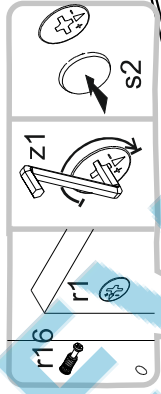
3




2



4



  $a=b$

