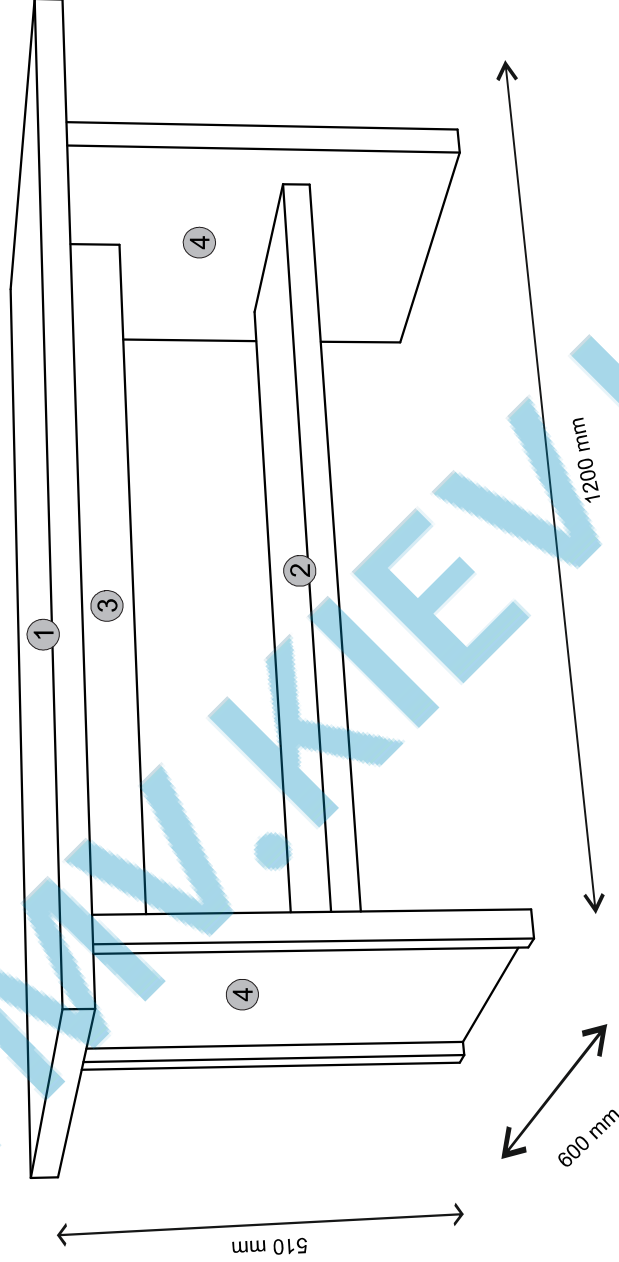
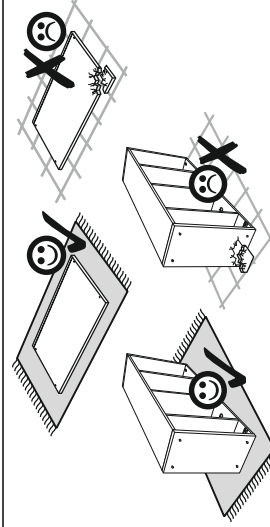
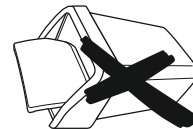
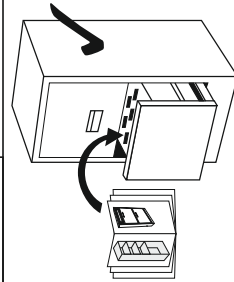
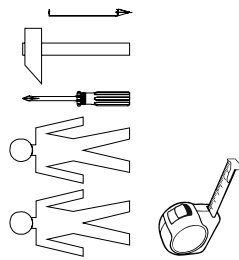
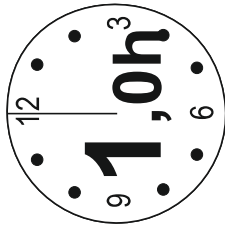
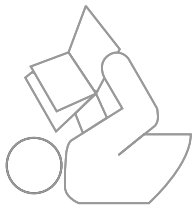


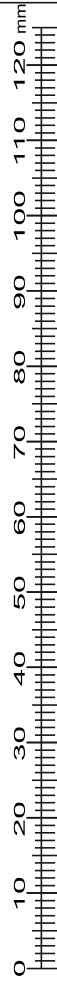
# Instalation manual

NORTON: LAW\_120

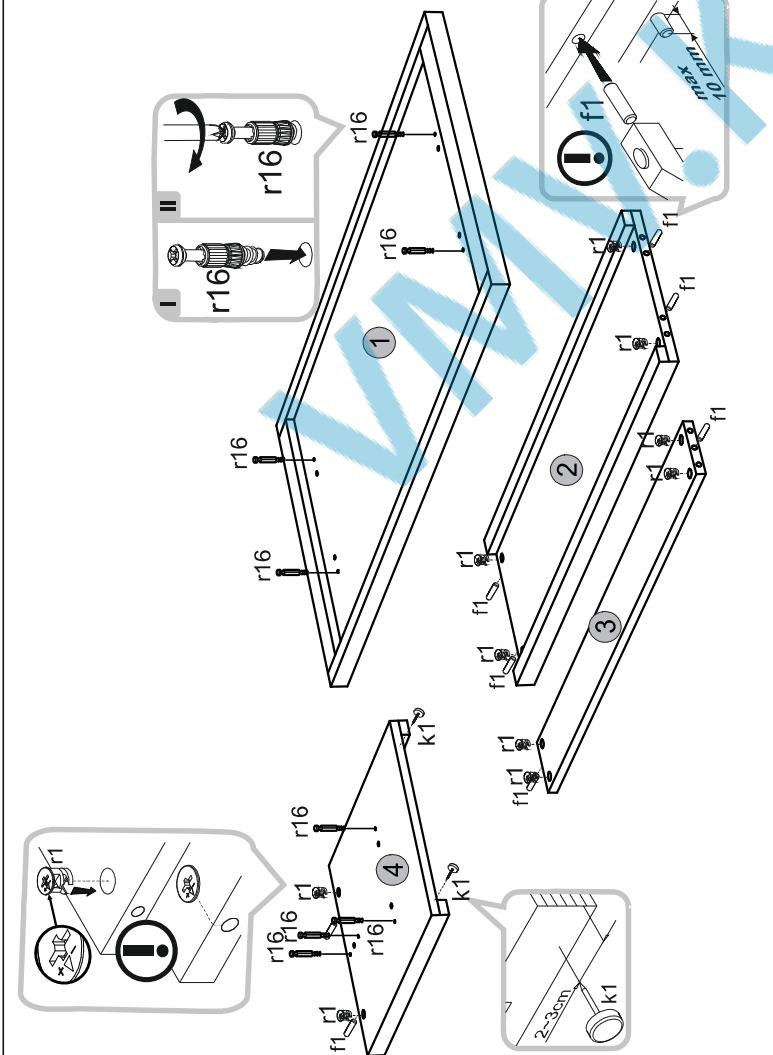


Element symbol	Dimensions	Code	Package
1	600 16/32/32	K-202	1/1
2	300 16/32	K-305	1/1
3	100 936	K-401	1/1
4	400 16/32	K-108	1/1

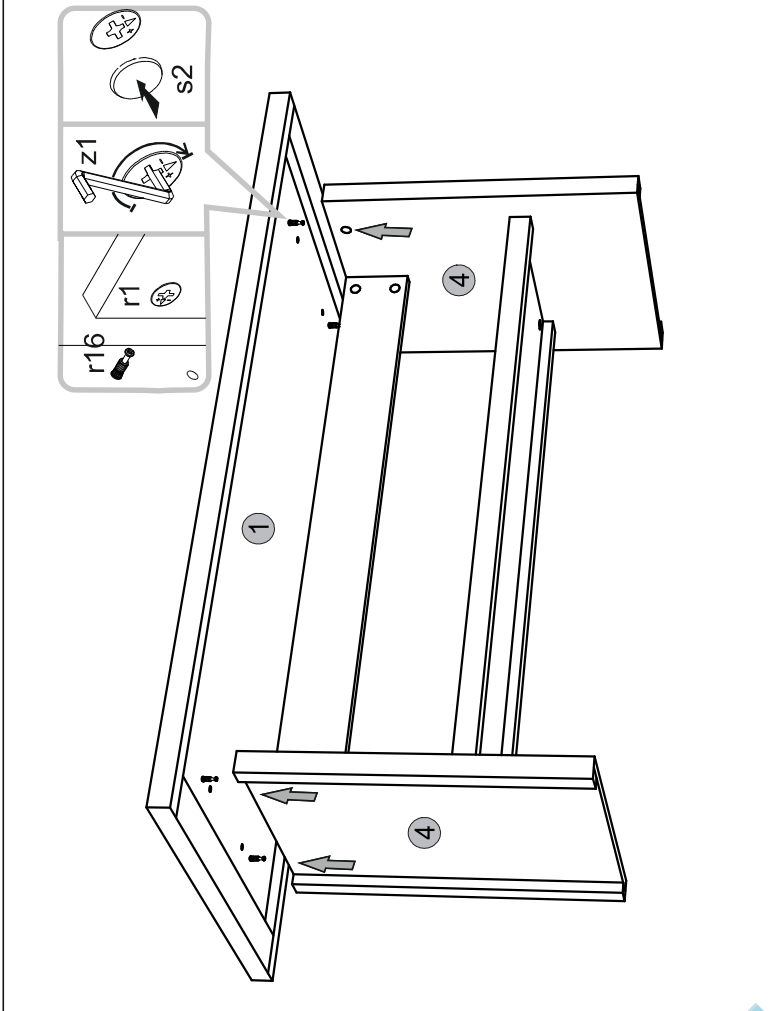
10X ø8.30 mm	1X f1	12X z1 ø16	12X s2
12X ø15.2mm #16	12X r1	4X r16	4X k1
1X y1			



1



3



2

