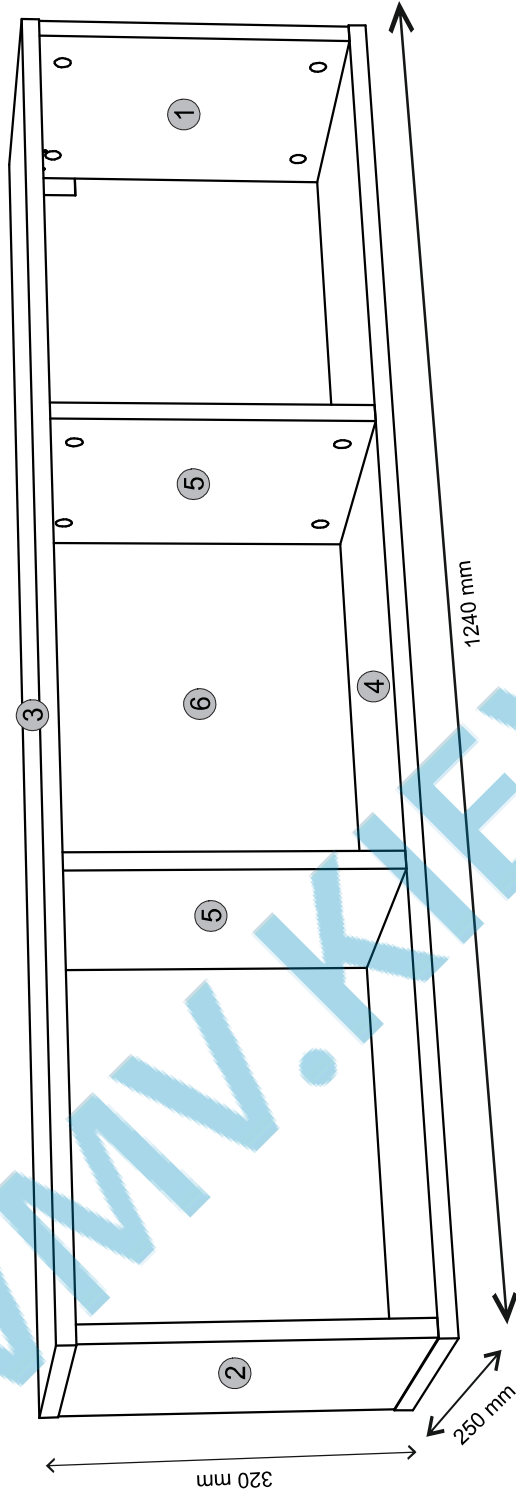
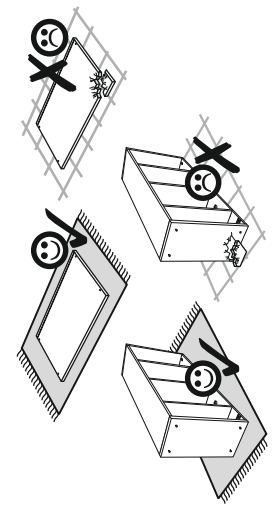
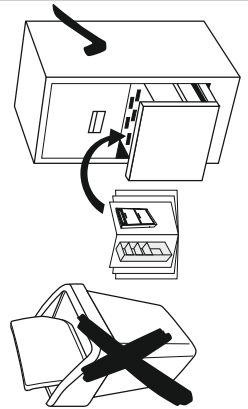
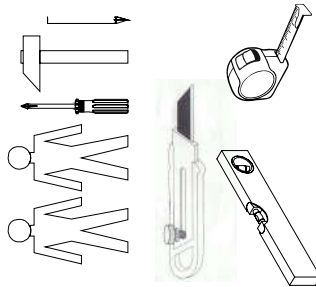
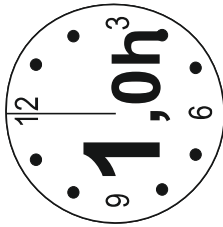
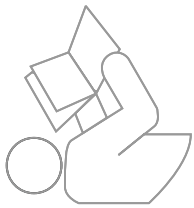


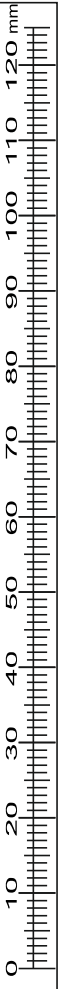
# Instalation manual

ALEX: Shelf 125

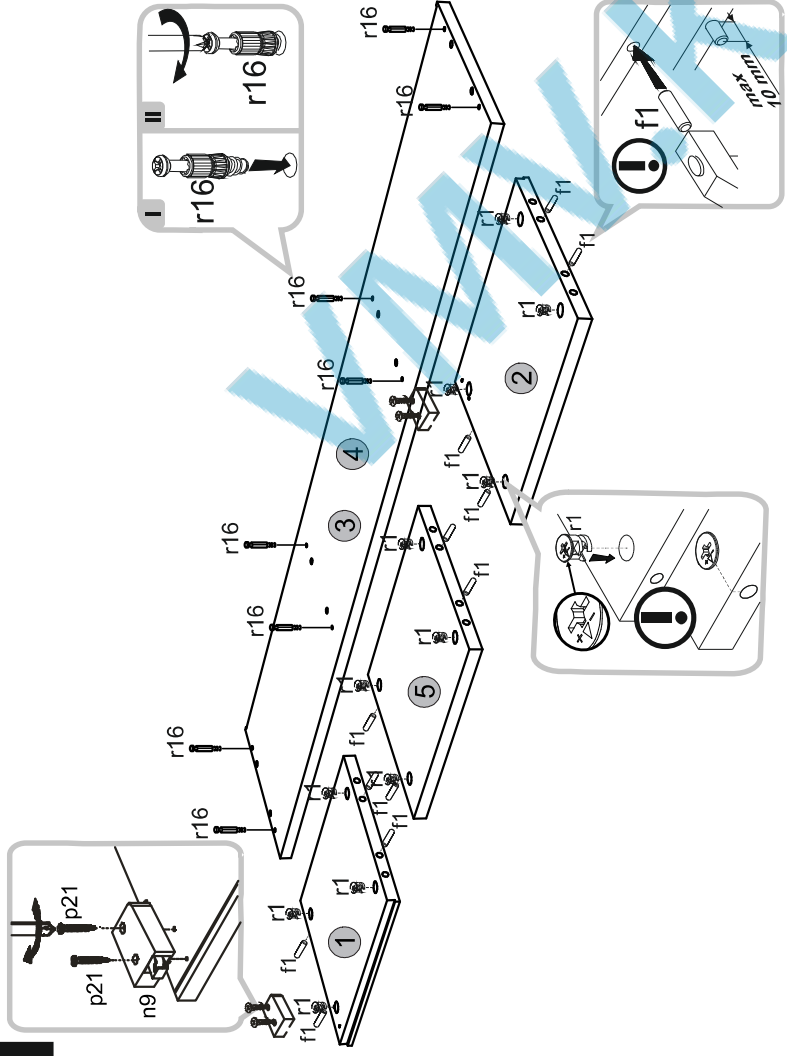


Element symbol	Dimensions			Code	Package
	1	2	3		
1	288	249	16	A-109	1/1
2	288	249	16	A-110	1/1
3	1240	250	16	A-205	1/1
4	1240	250	16	A-206	1/1
5	288	246	16	A-111	1/1
6	306	1224	3	A-607	1/1

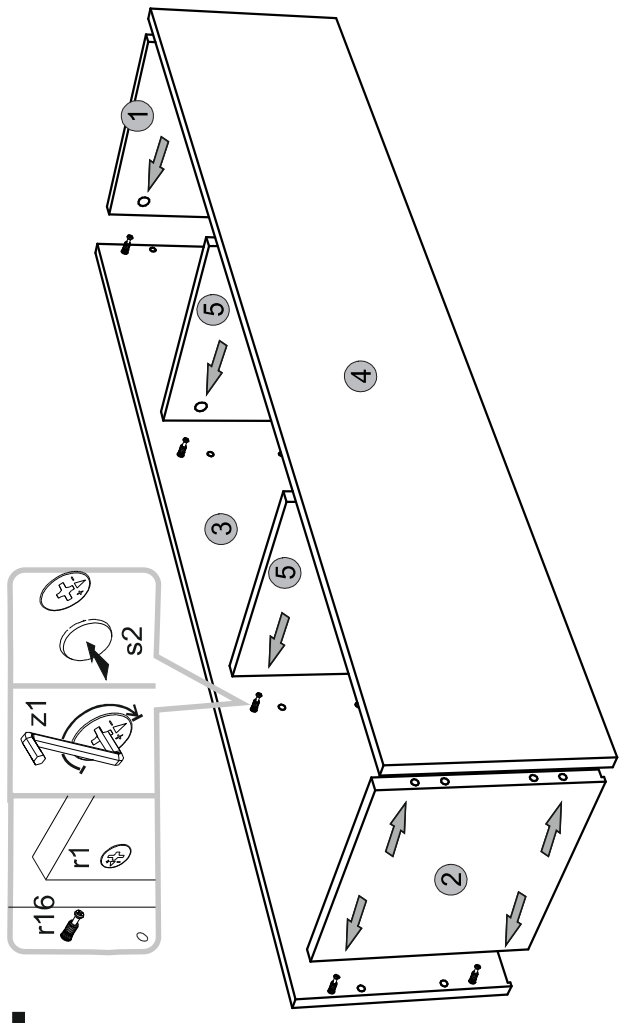
16x ø16	2x s2	2x f3 ø10x50 mm	30x	2x n9	2x p29 ø4x60 mm
16x ø15x12mm 3/16"	16x r16	4x r16	1x p21 ø4x37mm	1x z1	16x f1 ø8x50 mm



1

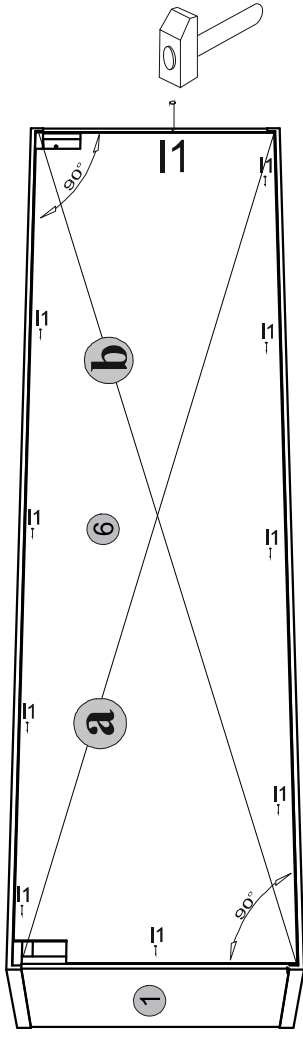


2



3

**!**  $a=b$



4

