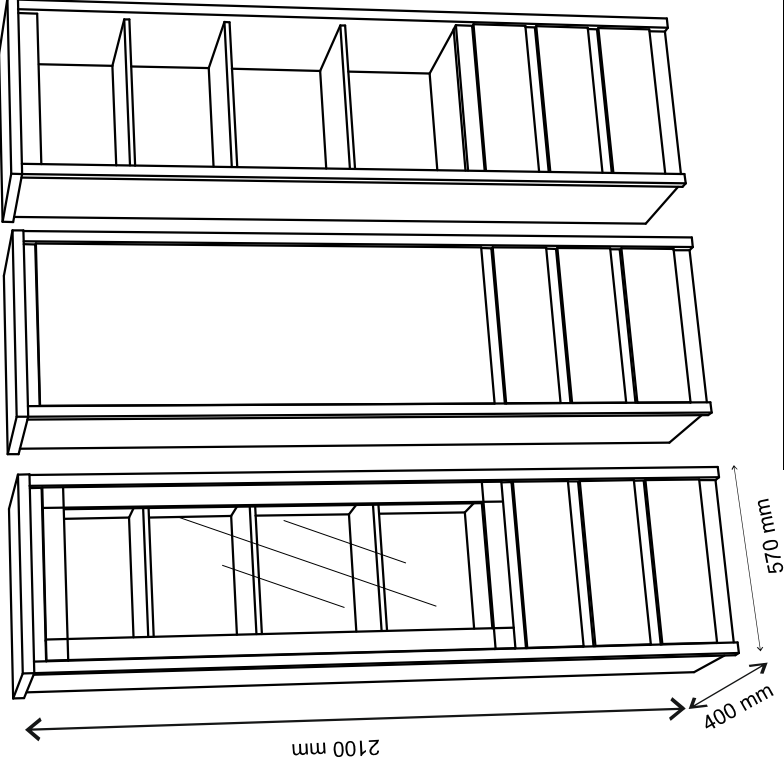
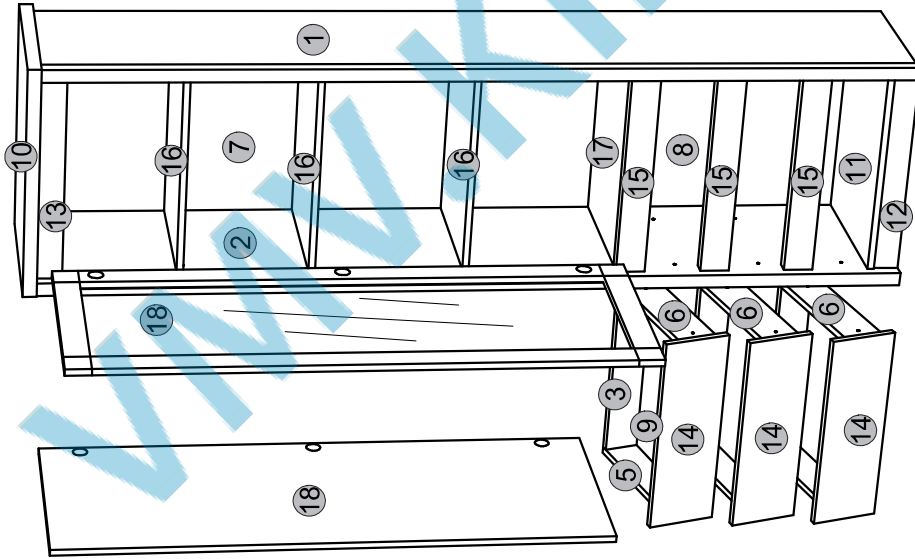
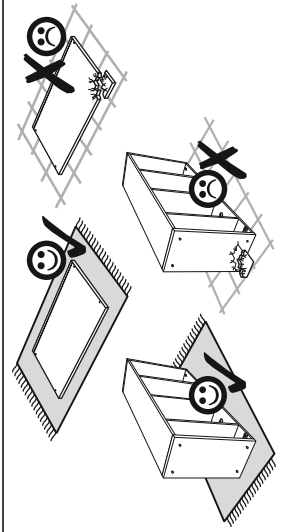
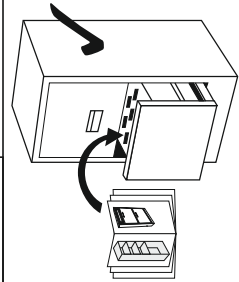
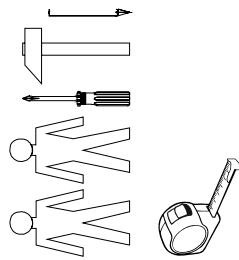
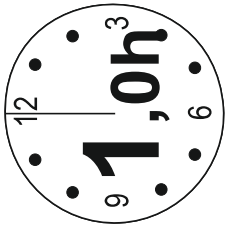
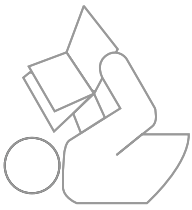
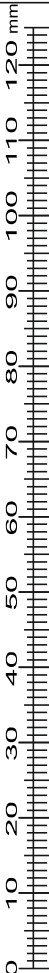
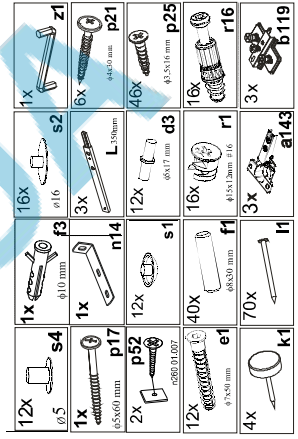


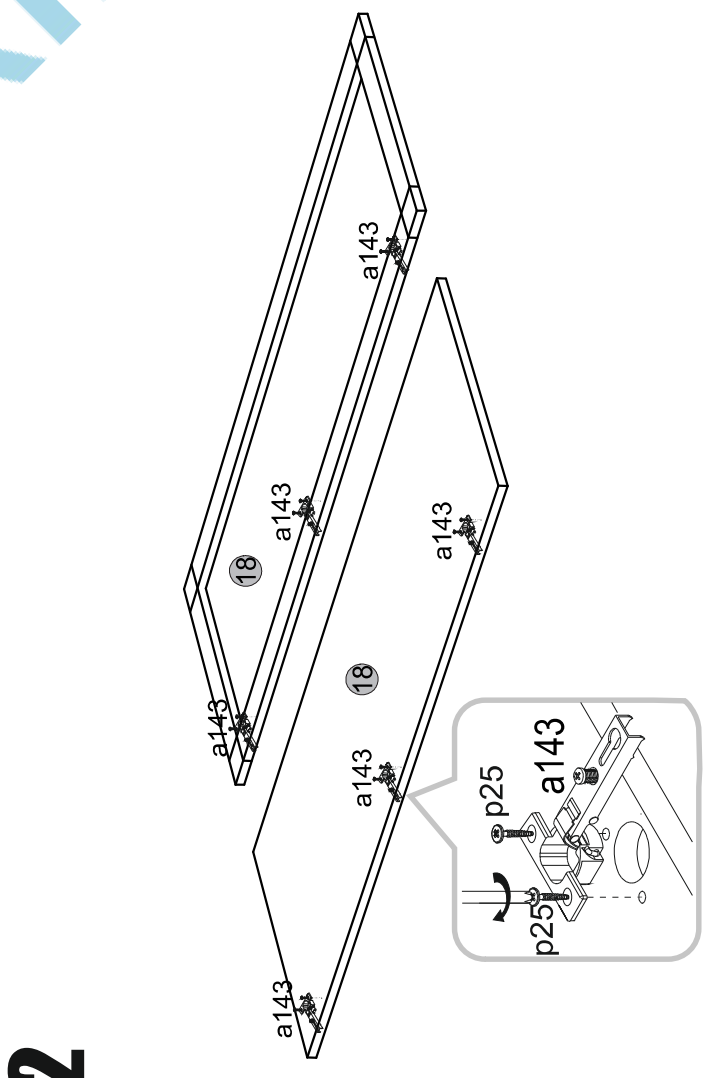
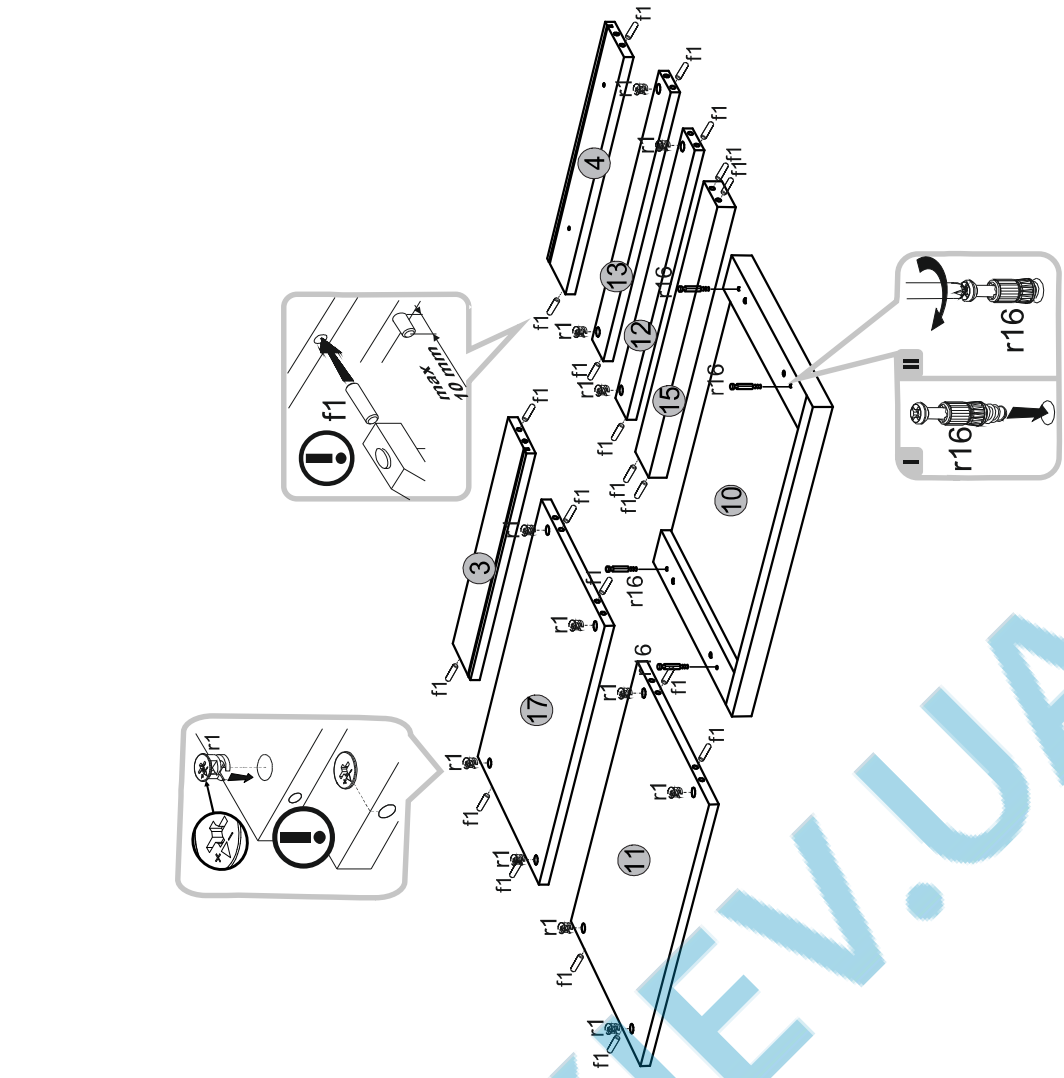
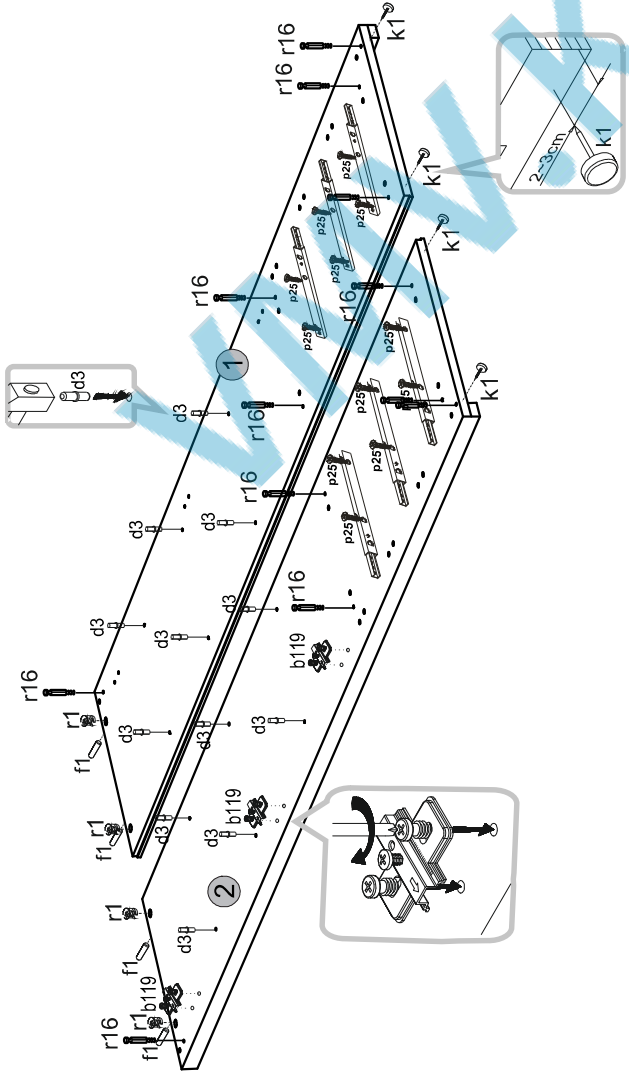
# Instalation manual

NORTON: REG\_1W3S,1D3S,3S



Element symbol	Dimensions			Code	Package
	2068	398	16/32		
1	2068	398	16/32	K-128	1/1
2	2068	398	16/32	K-129	1/1
3	447	100	16	K-525	1/1
4	447	100	16	K-526	1/1
5	350	100	16	K-527	1/1 2/2
6	350	100	16	K-528	1/1
7	1407	522	3	K-618	1/1
8	626	522	3	K-619	1/1
9	461	332	3	K-620	1/1
10	570	400	16/32/32	K-209	2/2
11	504	369	16	K-320	4/4
12	60	504	16	K-421	2/2
13	60	504	16	K-422	2/2
14	170	498	16	K-012	3/3
15	70	504	30	K-423	2/2
16	504	345	16	K-321	1/1
17	504	339	16	K-322	2/2
18	1354	498	16	K-013	5/5



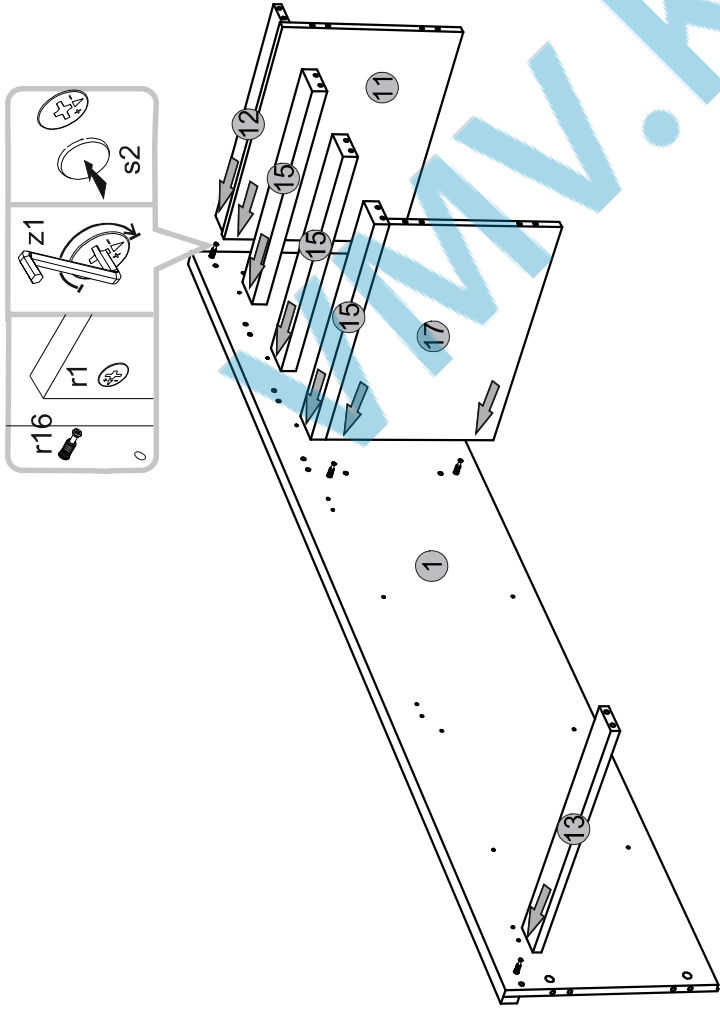


3

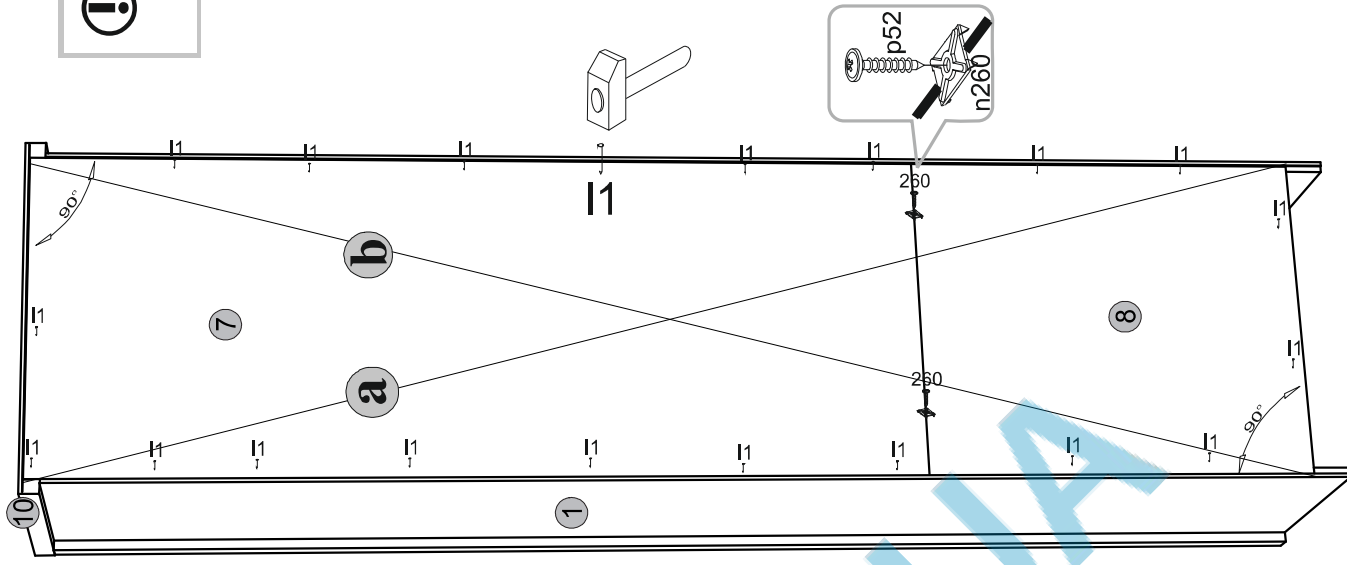
1

2

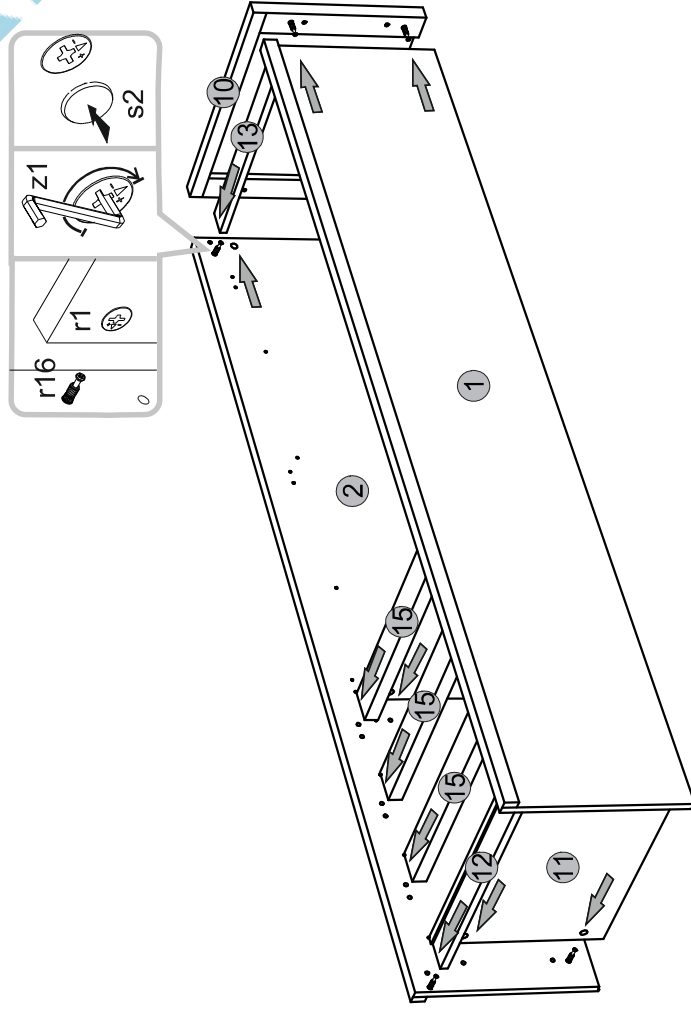
4

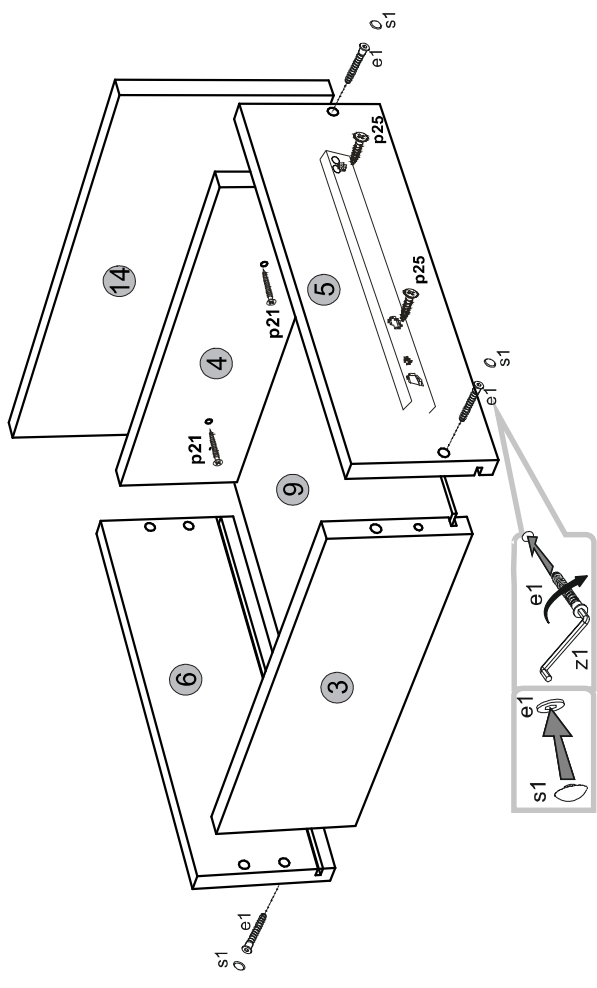
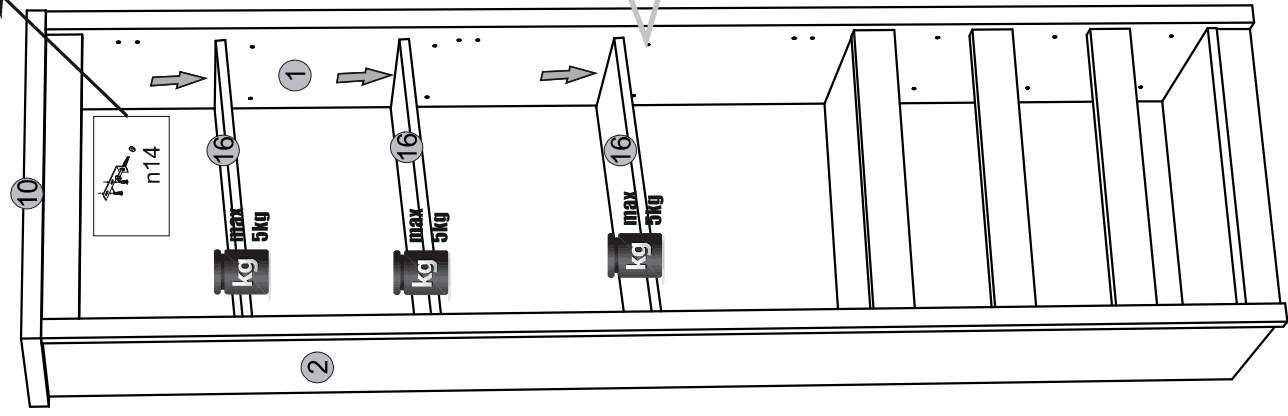
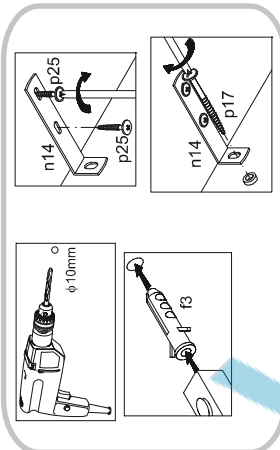


6

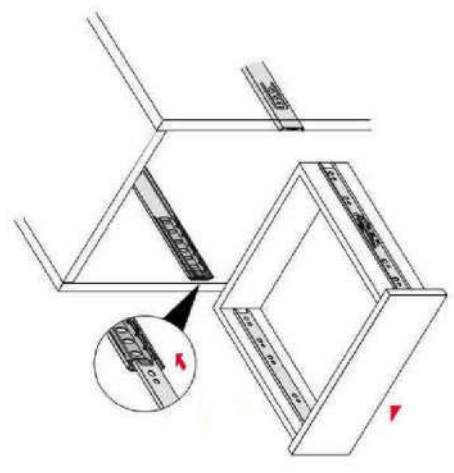
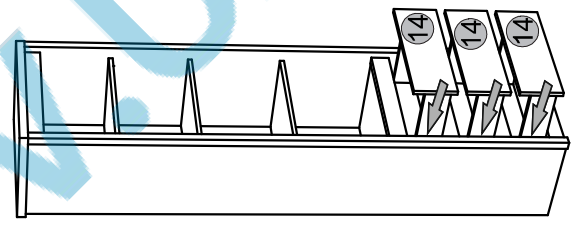


5

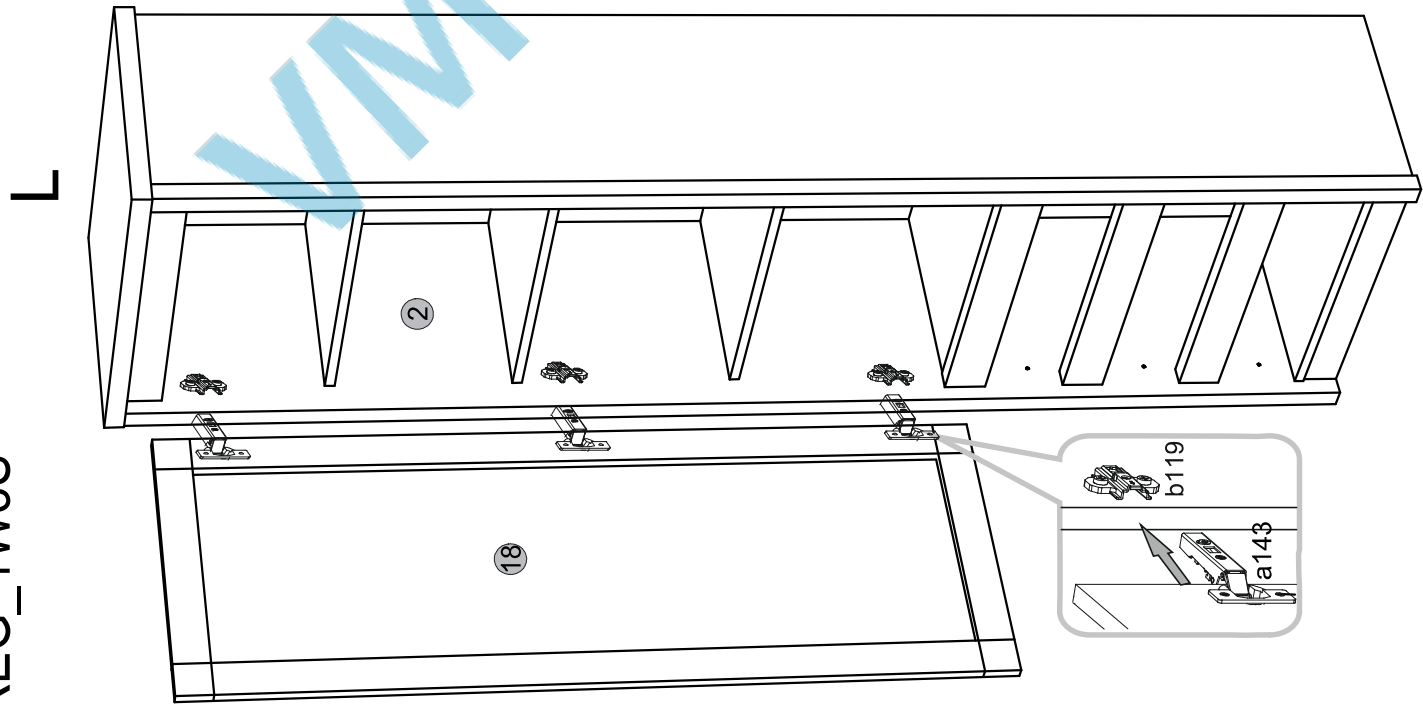




REG\_3S

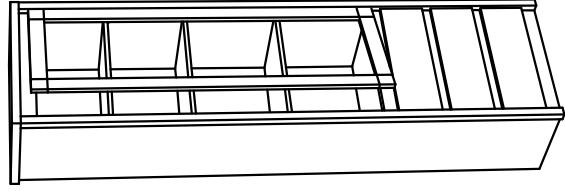
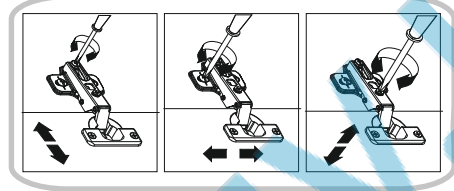


9 REG\_1W3S

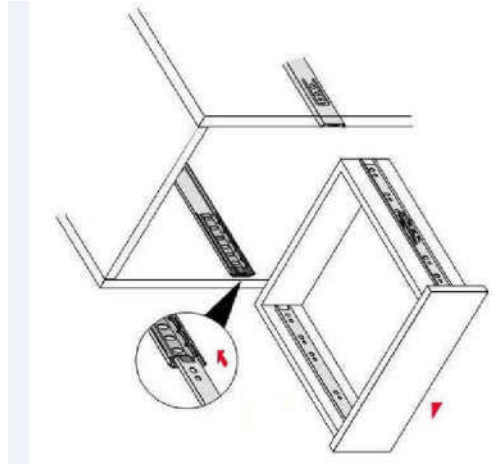
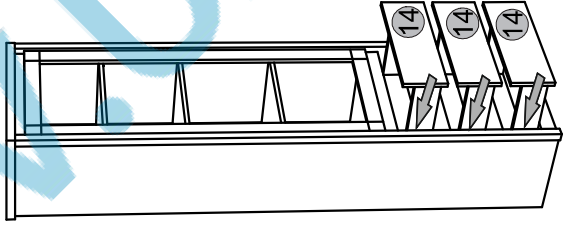
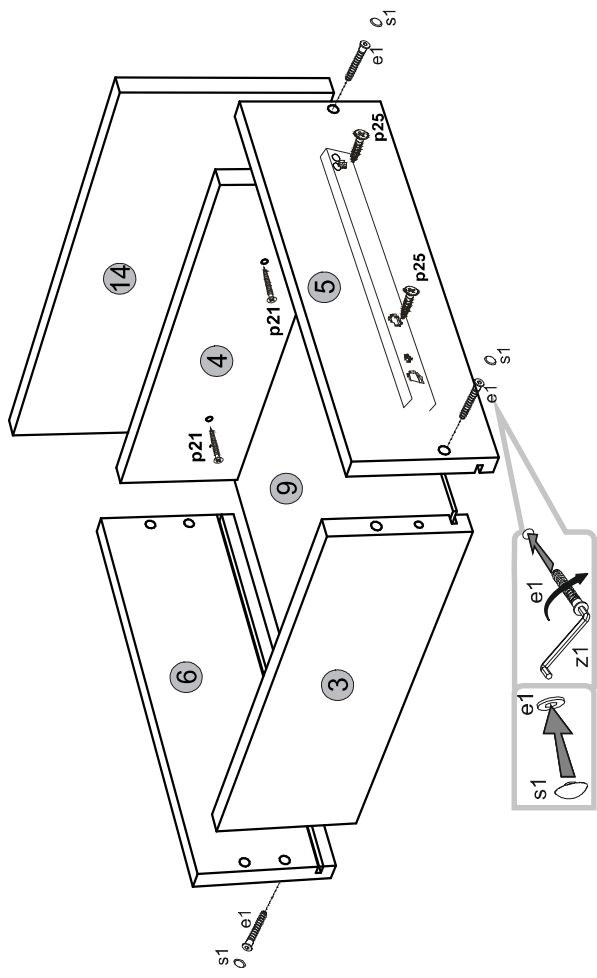


L

R

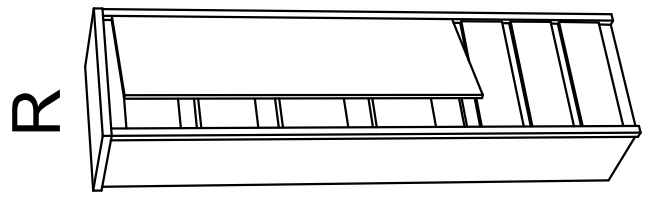
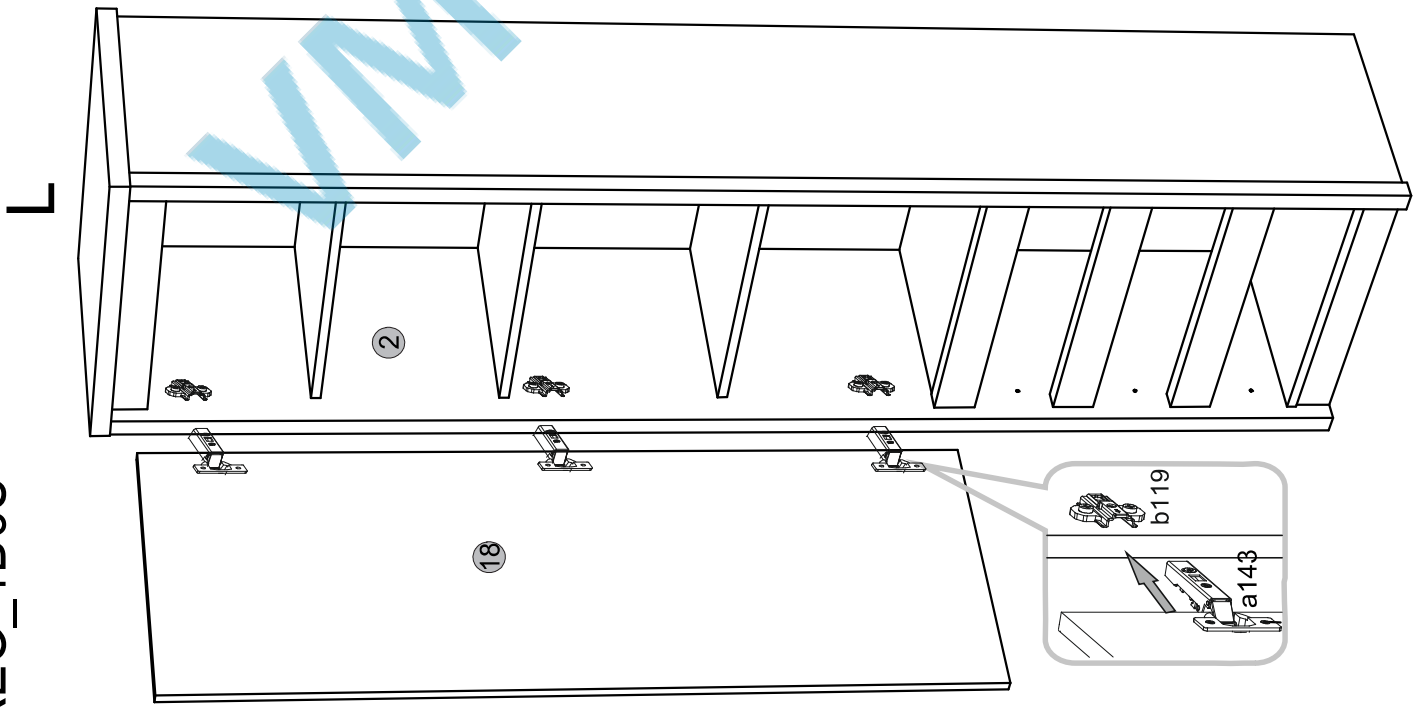


10

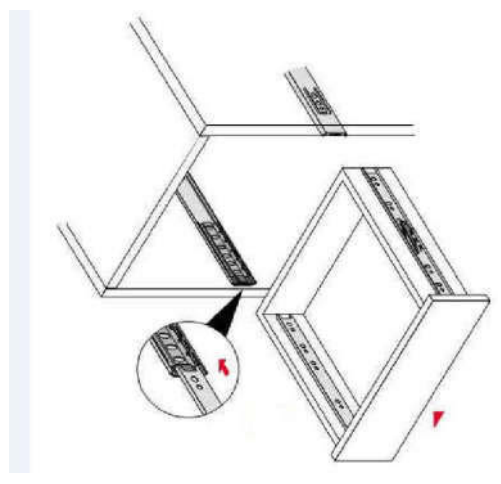
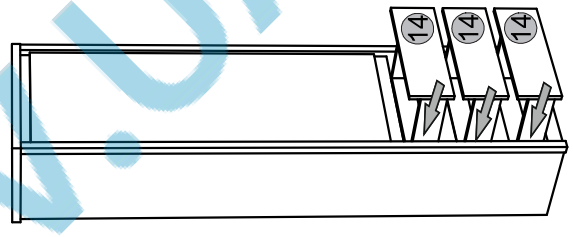
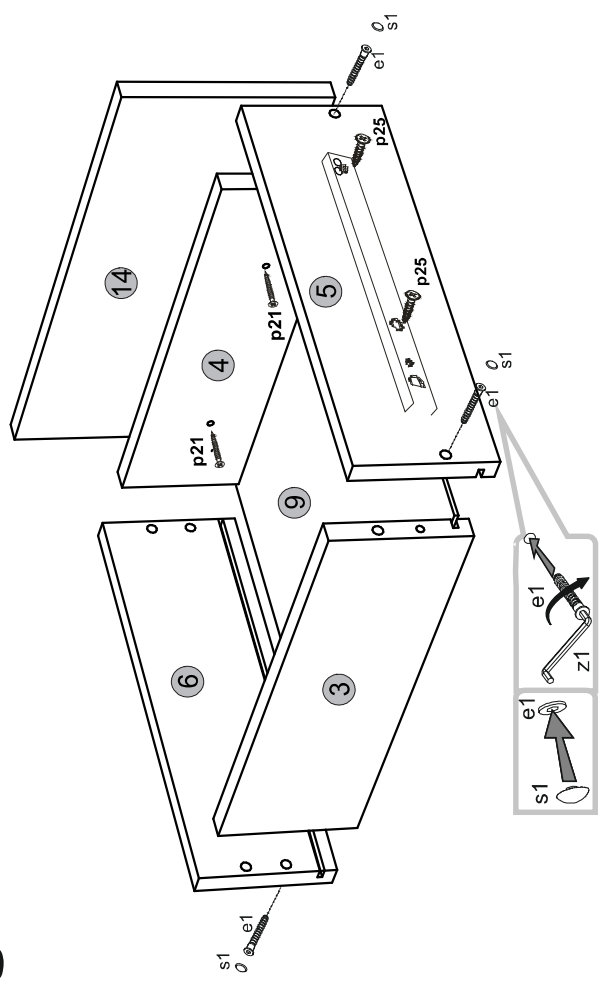


WWW.KIEV.UA

9 REG\_1D3S



10



WWW.KIEV.UA